

ONE DEVICE, FIVE FUNCTIONALITIES



AUTOMATIC

SNAP eliminates smells, polluting substances and humidity, automatically.



DETOX

SNAP intervenes on air quality eliminating every polluting substances.



DRY

SNAP detects humidity and activates automatically the air exchange system.



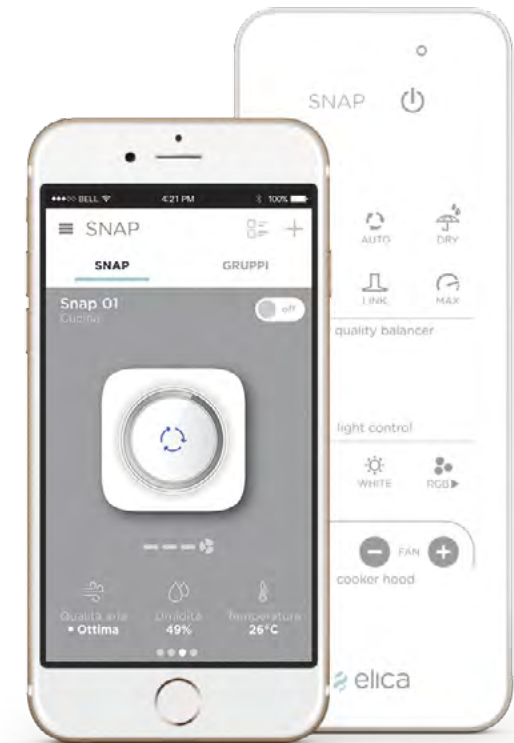
MANUAL

SNAP can be activated manually when you feel that you need its support.



LINK

SNAP can improve its performances if linked to your Elica hood.



YOUR AIR IN YOUR HANDS

You can have access to all advanced control features of your SNAP through the SNAP APP that allows you to analyze the real-time air quality and to set each function, wherever you are. The glass surface of the supplied remote control has the best touchscreen technology, to control SNAP from every corner of the room.



ZAMMCOB13



TEMPERATURE



AIR QUALITY



HUMIDITY

DESIGN YOUR AIR



SNAP

AIR QUALITY BALANCER

Design Fabrizio Crisà



ELICA.COM



DESIGN YOUR AIR

Snap 'Air Quality Balancer' monitors and improves the quality of the air in your indoor environments by calibrating the device according to living space conditions and your needs and expectations. Three sensors, an innovative algorithm and a brushless motor activate automatically ensuring a complete exchange of fresh air. Its App and the GSM or Wi-Fi connectivity allow you to connect with SNAP and program it, wherever you may be.

THE BENEFITS

ALWAYS NEW AIR

SNAP constantly monitors air quality and extracts it when levels are below optimal. In just 30 minutes, SNAP can purify 25 square meters of air. Smart, autonomous, effective.

LIGHT AS AIR

SNAP is not a purifier or an ionizer and it has no filters to change. SNAP is always connected and updates its firmware. You can install it and forget about it!

BORN FROM PERFECT SHAPES

Elica's quality and heritage give SNAP an elegant and well-finished look. Its clean design and shapes make SNAP a device that can be easily integrated in every space.

FIVE DEGREES OF FREEDOM

SNAP can act automatically, either manually, and can be linked to your kitchen hood. You decide.

LESS ODORS, MORE PASSION

SNAP smells your air automatically and acts to improve it, so you are free to breathe new air into your passions.

SIMPLICITY IS A GOAL

SNAP is not a dehumidifier and it does not need tanks or discharge pipes. 21x21cm of power in a design perfect for any environment.

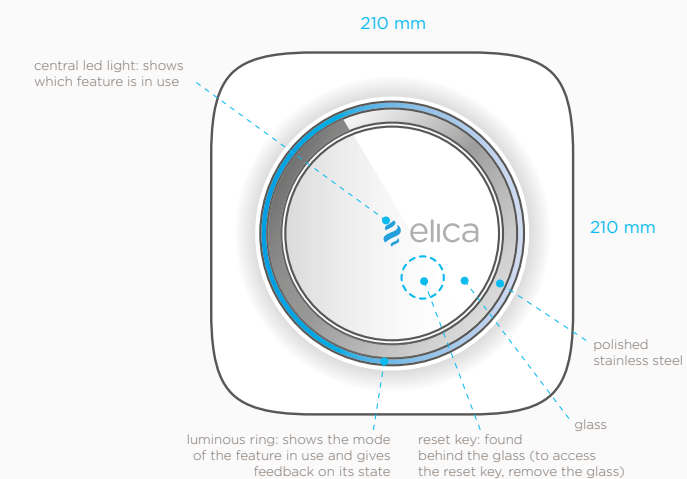
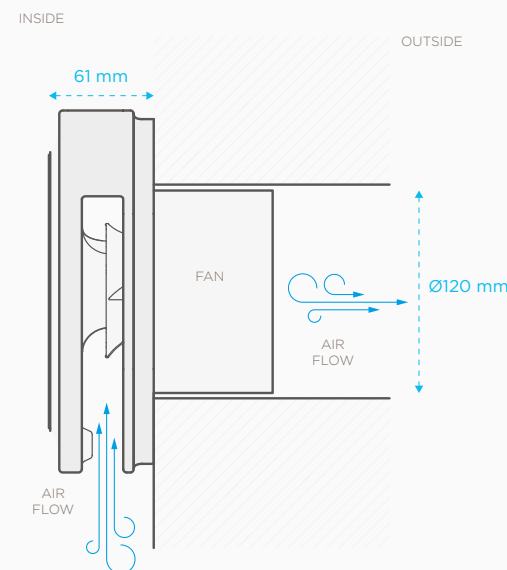


Available in three colors:
white, taupe brown and black.



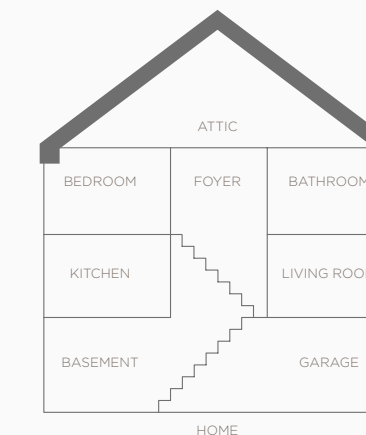
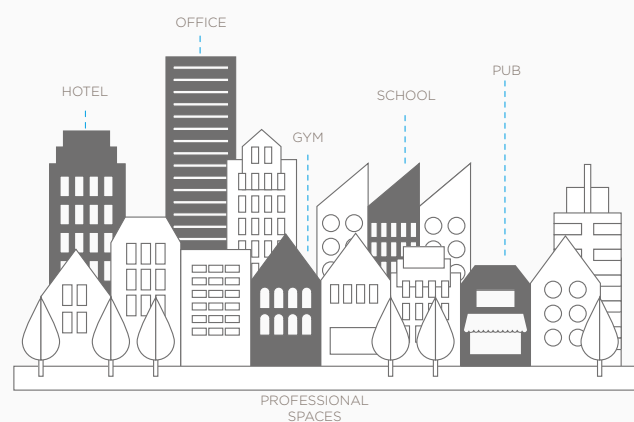
PRE-INSTALLATION

SNAP should communicate with the external surface of the building through a 120 mm hole, and should be linked to the power grid.



WHERE TO INSTALL

SNAP has been created for domestic and public spaces. Its advanced functionalities let SNAP bring concrete benefits in every environment in which it is installed. It is recommended, among others, for the kitchen, the living room, the bathroom, the bedroom, the office, every floor, including attics and basements.



TECHNICAL SHEET

TECHNICAL DATA

Supply Voltage (Vac):	230/50Hz	
Power Consumption (W):	3 (min speed) - 7 (max speed)	
Airflow (m3/h):	60 (min speed) - 150 (max speed)	
Revolution (RPM)	1650±50 (min speed) - 2350±50 (max speed)	
Pressure (Pa):	28 (min speed) - 56 (max speed)	
Noise LW (dBA):	47 (min speed) - 60 (max speed)	
Noise Lp at 3 mt (dBA):	27 (min speed) - 40 (max speed)	

TECHNICAL DATA

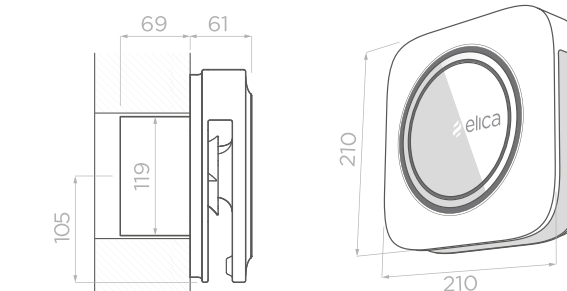
Temperature:	-40°C to +125°C	
Humidity:	0 to 100%	
Air Quality:	Hydrogen (H2)	1 to 1000 ppm
	Carbon Monoxide (CO)	5 to 1000 ppm
	Propane (C3H8)	3 to 1000 ppm (10% LIE)
	Iso-Butane (C4H10)	5 to 1000 ppm (10% LIE)
	Ethanol (C2H6O)	1 to 1000 ppm
	Methane (CH4)	200 to 3000 ppm
	Ammonia (NH3)	5 to 1000 ppm

LIGHT SIGNALS

Active Functions:	RGB CENTRAL LED
Working and other states:	RGB CROWN LED

DIMENSIONS

Wide:	210 mm
Tall:	210 mm
Deep:	61+69 mm
Hole (Ø)	119 mm



SYSTEM REQUIREMENTS

Wi-Fi connection	
Smartphone or Tablet:	with iOS 7 or later - with Android 4.03 or later

WIRELESS

Supported Wireless Security:	open, WEP, WPA2
Working Wi-Fi Connection:	802.11 b/g/n @ 2.4 GHz
SSID:	not hidden
Wi-Fi enterprise connection:	not supported



TUTORIAL AREA

To know how to install and configure SNAP successfully visit snap.elica.com/en/support