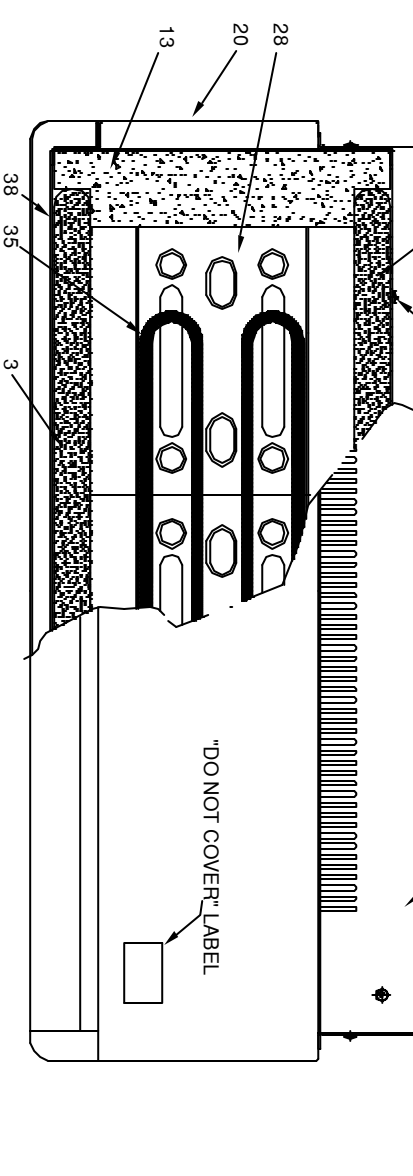


22	INNER BRACKET		20291575		
21	FAST NUT	10190560			
20	LEFT SIDE	20291120			
19	RIGHT SIDE	20291110			
18	RESISTOR BRACKET	20290180			
17	LAMIER RESISTOR	20290280	20290280	20290270	
16	WIRE FASTENER	10190280			
15	FLOOR INSULATION	20290621	20290331	20290441	20290651
14	BASE INSULATION	20290540	20290550	20290560	20290570
13	LEFT END INSULATION		20290575		
12	RIGHT END INSULATION		20290577		
11	SQUARE	20291330			
10	PROTECTION	20291070	20291080	20291090	20291100
9	SCREW T8ST M4 x 8	20290210			
8	SCREW RCH 3.5 x 13		10190620		
7	SCREW RCH 3.5 x 13 BLACK		20290220		
6	SCREW RCH 3.5x9.5 AP	10190310	10190530		
5	SCREW RCH 3.5x9.5 AP WHITE	10190340	10190540		
4	TOP PANEL	20291140	20291150	20291160	20291170
3	FRONT AND REAR INSULATION	20290660	20290680	20290720	20290730
2	TOP INSULATION II	20290680	20290710	20290740	20290770
1	TOP INSULATION I	20290670	20290700	20290730	20290760
N°	DESCRIPTION	ADL 2012	ADL 3018	ADL 4024	ADL 5030
		MODEL			

46	SAFETY CUT - OFF THERMOSTAT		20290196		
44	WRINGS				
43	LOWER END PANEL	20291540	20291550	20291560	20291570
42	FRAME ASSY	20291480	20291470	20291480	20291490
41	FRAME SUB-ASSY	20295050	20295060	20295070	20295080
40	FRAME SUPPORT BA		10192100		
39	THERM PHAL THERMOSTAT		20290190		
38	INNER FRONT PANEL	20291390	20291400	20291410	20291420
37	FRONT GRILLE	20291030	20291040	20291050	20291060
36	FAN		20290230		
35	POWER ELEMENT	20290280	20290290	20290300	20290310
34	BIMETALIC BUMPER DEVICE		20290010		
33	RIGHT SIDE PROTECTION		20291180		
32	LEFT SIDE PROTECTION		20291710		
31	INPT CONTROL DIAL	20291230	20291240	20291250	20291260
30	WALL FRING BRACKET	20291100	20291200	20291210	20291220
29	FRONT PANEL		20290150		
28	BRCK 2224		20290150		
27	CONNECTOR LABEL		20290130		
26	WAPT CONNECTOR		20290110		
25	WASHER		10190020		
24	FLAP (520 mm.)		20291810		
23	FLAP (340 mm.)	20291800	20291810	20291820	20291830
N°	DESCRIPTION	ADL 2012	ADL 3018	ADL 4024	ADL 5030
		MODEL			



Escala: 1:3
 Edición: 29.1.01
 Diseño: I.C. Aprobó:
 Sustituye:

ELNUR s.a.

TYPE: D-----

DINAMIC HEATER STORAGE, ADL

Número de plano:
20299000

Hoja: 1 de: 1