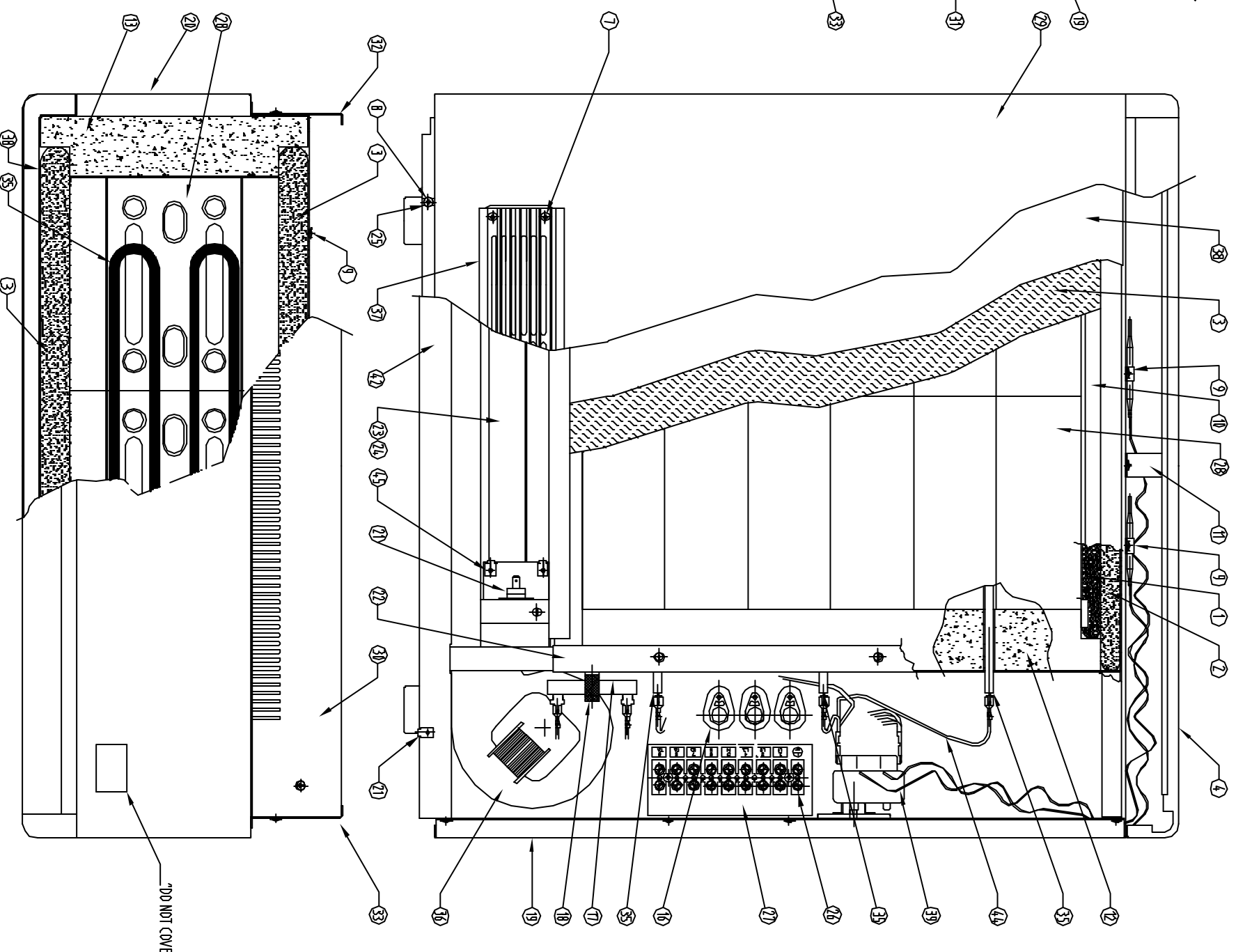


N°	DESCRIPTION	MODEL
1	TOP RELAYBOX 1	2029970
2	FRONT AND REAR INSULATION	2029940
3	FRONT AND REAR INSULATION	2029940
4	FRONT AND REAR INSULATION	2029940
5	FRONT AND REAR INSULATION	2029940
6	FRONT AND REAR INSULATION	2029940
7	FRONT AND REAR INSULATION	2029940
8	FRONT AND REAR INSULATION	2029940
9	FRONT AND REAR INSULATION	2029940
10	FRONT AND REAR INSULATION	2029940
11	FRONT AND REAR INSULATION	2029940
12	FRONT AND REAR INSULATION	2029940
13	FRONT AND REAR INSULATION	2029940
14	FRONT AND REAR INSULATION	2029940
15	FRONT AND REAR INSULATION	2029940
16	FRONT AND REAR INSULATION	2029940
17	FRONT AND REAR INSULATION	2029940
18	FRONT AND REAR INSULATION	2029940
19	FRONT AND REAR INSULATION	2029940
20	FRONT AND REAR INSULATION	2029940
21	FRONT AND REAR INSULATION	2029940
22	FRONT AND REAR INSULATION	2029940
23	FRONT AND REAR INSULATION	2029940
24	FRONT AND REAR INSULATION	2029940
25	FRONT AND REAR INSULATION	2029940
26	FRONT AND REAR INSULATION	2029940
27	FRONT AND REAR INSULATION	2029940
28	FRONT AND REAR INSULATION	2029940
29	FRONT AND REAR INSULATION	2029940
30	FRONT AND REAR INSULATION	2029940
31	FRONT AND REAR INSULATION	2029940
32	FRONT AND REAR INSULATION	2029940
33	FRONT AND REAR INSULATION	2029940

N°	DESCRIPTION	MODEL
1	FRONT AND REAR INSULATION	2029940
2	FRONT AND REAR INSULATION	2029940
3	FRONT AND REAR INSULATION	2029940
4	FRONT AND REAR INSULATION	2029940
5	FRONT AND REAR INSULATION	2029940
6	FRONT AND REAR INSULATION	2029940
7	FRONT AND REAR INSULATION	2029940
8	FRONT AND REAR INSULATION	2029940
9	FRONT AND REAR INSULATION	2029940
10	FRONT AND REAR INSULATION	2029940
11	FRONT AND REAR INSULATION	2029940
12	FRONT AND REAR INSULATION	2029940
13	FRONT AND REAR INSULATION	2029940
14	FRONT AND REAR INSULATION	2029940
15	FRONT AND REAR INSULATION	2029940
16	FRONT AND REAR INSULATION	2029940
17	FRONT AND REAR INSULATION	2029940
18	FRONT AND REAR INSULATION	2029940
19	FRONT AND REAR INSULATION	2029940
20	FRONT AND REAR INSULATION	2029940
21	FRONT AND REAR INSULATION	2029940
22	FRONT AND REAR INSULATION	2029940
23	FRONT AND REAR INSULATION	2029940
24	FRONT AND REAR INSULATION	2029940
25	FRONT AND REAR INSULATION	2029940
26	FRONT AND REAR INSULATION	2029940
27	FRONT AND REAR INSULATION	2029940
28	FRONT AND REAR INSULATION	2029940
29	FRONT AND REAR INSULATION	2029940
30	FRONT AND REAR INSULATION	2029940
31	FRONT AND REAR INSULATION	2029940
32	FRONT AND REAR INSULATION	2029940
33	FRONT AND REAR INSULATION	2029940



ELNUR s.a.

DYNAMIC HEATER STORAGE, ADL

Estato: 1:3
 Edición: 24.1.01
 Diseño: I.C. Apróbr:
 Scarfóve

Número de plano:
20299000
 Hoja: 1 de: 1

TYPE: 0 - - - - -

*DO NOT COVER LABEL

