



TOWEL RAIL

INSTRUCTIONS FOR INSTALLATION AND USE

TBB8 (white) 300 W

TBB12 (white) 600 W

All models are IP44 rated and are suitable for use in bathrooms. Please read these instructions before installing or using this appliance for the first time.

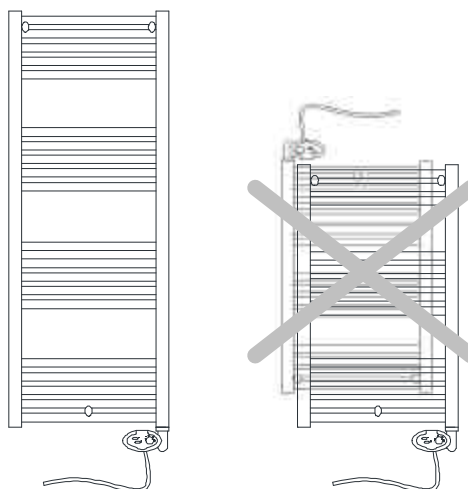
1.- IMPORTANT

- The warranty of the towel rail will not cover any damage caused by the non observance of any of these instructions.
- This guide must be kept and given to any new user.
- Please, check that the voltage in the rating label fits the power supply.
- The installation must be carried out in accordance with the current electrical regulations.
- The installation of the towel rail should be carried out by trained personnel.
- The use of electric towel rails is forbidden in any area where there is a presence of gases, explosives or inflammable objects.
- The towel rail should not be installed exactly under an electric outlet.
- The appliance must be installed in such a way that it is impossible for anyone using a bath or shower, to touch the controls.
- The surfaces of the towel rail can be hot and caution is advised when small children are near the appliance.
- Installation should be in such a way so that children cannot use it as a stairway or ladder.
- If the supply lead of the towel rail is damaged it must be replaced by service personnel authorized by the manufacturer, since special tools are needed.
- Before carrying out any work inside the appliance, the towel rail must be disconnected from the electricity supply.
- All the models incorporate a safety device. This will disconnect the towel rail if for some reason it fails. If the safety device activates the towel rail will need to be repaired by service personnel authorized by the manufacturer.
- The presence of air particles of smoke, dust and other pollutants could, in time, discolour the walls and surfaces around the towel rail.

2.- INSTRUCTIONS OF INSTALLATION

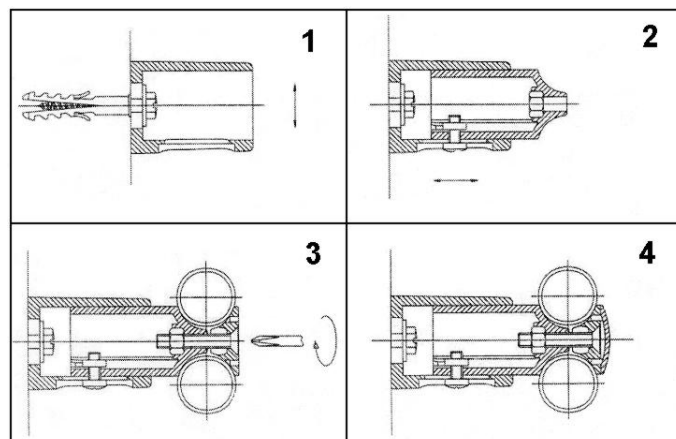
The towel rail is designed to only work in a vertical position and fixed to the wall, never to the ceiling.

The fixation to the wall is carried out by means of the three supports given with the appliance, according to the following outline.



A clear distance of 5 cm must be allowed around the towel rail.

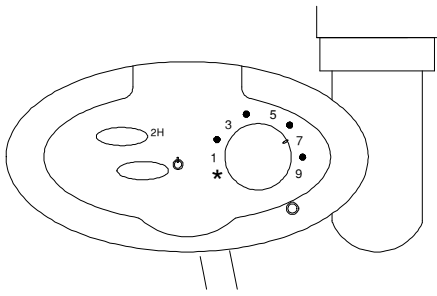
The towel rail supports should be placed in sequence as indicated below.



3.- APPLICATION OF USE

The towel rail is designed to only work in a vertical position and fixed to the wall, never to the ceiling.

The bathroom towel rail has two very useful functions: Can be used as heating for bathrooms and can be used to dry towels and clothes.



Press the key "O" to turn ON/OFF the towel rail.

The towel rail incorporates an electronic thermostat that controls the temperature of the room. An indicator is illuminated in red when the apparatus is consuming energy and green when not. A small control allows you to adjust the ambient temperature. By rotating the control of the thermostat to the maximum the room will heat more quickly, when the required temperature is reached slowly rotate counter clockwise until the luminous indicator goes out. In this position the towel rail will maintain the selected temperature automatically.

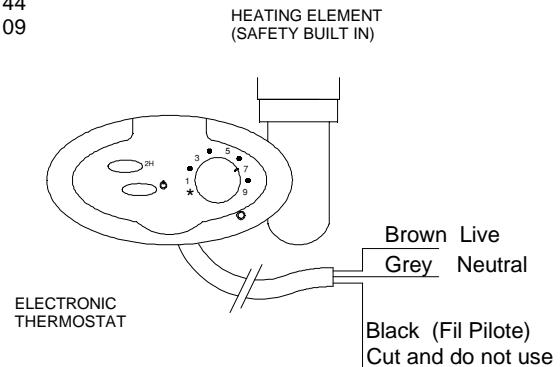
When pressing the key "2H" the towel rail will remain ON and working to the maximum temperature for a duration of two hours. After that time the towel rail will return to its previous state. This is useful when drying towels. Different surface temperatures could arise due to the internal fluid distribution in the towel rail.

4.- MAINTENANCE

The towel rail doesn't require any type of special maintenance. Clean with a cloth, only when the unit is disconnected and cold. Do not use solvents or abrasive products when cleaning. The towel rail has been manufactured to assured quality and according to processes to protect the environment. The towel rail is filled with a precise quantity of special fluid. Any repairs that may require the opening of the towel rail must only be carried out by the manufacturer. Once at the end of the useful life of the appliance, take it to a clean point so that it's materials can be recycled appropriately.

5.- ELECTRIC OUTLINE

Voltage: 220 – 240 V-
Class II
IP 44
IK 09



Connect the black wire marked "FIL PILOTE" to the signal wire when available. (Not available in UK).

ATTENTION! No serviceable parts inside.



The symbol on the product or in its packaging indicates that this product may not be treated as household waste. Instead it shall be handed over to the applicable collection point for the recycling of electrical and electronic equipment. By ensuring this product is disposed of correctly, you will help prevent potential negative consequences for the environment and human health, which could otherwise be caused by inappropriate waste handling of this product. For more detailed information about recycling of this product, please contact your local city office, your household waste disposal service or the shop where you purchased the product. These instructions are only valid in the EU member states.

YOUR 24 MONTH GUARANTEE

Your new appliance comes with a 24 month guarantee protecting you against electrical and mechanical breakdown.

For servicing during the first 24 months telephone, or contact your local supplier:

CONDITIONS

THESE DO NOT AFFECT YOUR STATUTORY RIGHTS

Your appliance carries a free guarantee which protects you against the cost of repairs in the first 24 months from date of purchase provided;

- Claims are accompanied by evidence of the date of purchase, such as a sales receipt.
- The appliance was correctly installed and operated in accordance with the manufacture's instructions and used solely for domestic/commercial purposes.
- The defect was not due to accident, misuse, unauthorised modification or repair by an unqualified person.
- Parts, such as fuses in plugs, which require routine replacement, are excluded from guarantee.

YOUR GUARANTEE IS VALID ONLY IN THE UK.

