

MATHIUS

NIGHT STORAGE HEATERS



SH6M
~~**SH9M / A**~~
SH12M / A
~~**SH15M / A**~~
SH18M / A
SH24M / A

INSTALLATION INSTRUCTIONS AND USER GUIDE

Please read these instructions before installing or using this appliance for the first time.

INSTALLATION INSTRUCTIONS AND USER GUIDE

1.- WARNING

- Please read these instructions before installing or using this appliance for the first time. The warranty of the storage heater will not cover any damage caused by non observance of any of these instructions.
- This Guide must be kept and given to any new owner.
- This appliance is not intended for use by persons with reduced physical, sensory or mental capabilities, or lack of experience and knowledge, unless they have been given supervision or instruction concerning the use of the appliance by a person responsible for their safety.
- Should the heater be moved and reinstalled it is essential that the work is carried out by a fully qualified engineer.
- If during any installation the thermal insulation shows any sign of damage, it is necessary for the faulty part to be removed and replaced by an identical part.
- The use of storage heaters is forbidden in any area where there is a presence of gases, explosives or inflammable objects.
- Do not use this heater to dry clothes. Do not cover this heater or put objects in contact.
- The air outlet grill at the top of the heater cabinet and the air inlet at the bottom of the heater are provided to ensure the most efficient operation of the appliance. They also protect the heater from overheating; therefore, it is essential that at no time are they covered.
- Surfaces of this appliance could be hot.
- Children should be supervised to ensure they do not play with the heater.
- This heater should be switched off at the isolating switch before any repair work is carried out. This action should also be taken during the times of the year when heat is not required.
- The installation of the heaters must be carried out in such a way that each pole can be disconnected from the supply having a contact separation of at least 3 mm.
- The storage heater should not be installed just below an electrical socket.
- The appliance must be installed in such a way that it is impossible for anyone using a bath or shower, to touch the controls.
- The nominal charging time of this storage heater is indicated on its rating plate and must be controlled by means of a programmer.
- The installation must be carried out in accordance with the current electrical regulations.
- This appliance must be earthed.
- After installation a survey of the first charging cycle should be carried out to ensure that the main input thermostat switches off. Ventilate the room during this first cycle.
- Before carrying out any work inside the appliance, the heater must be disconnected from the electricity supply.
- Never open a charged heater.
- The presence in the air of particles of smoke, dust and other pollutants could, in time, discolour the walls and surfaces around the heater.
- To maintain stability, it is essential that the heater is placed on a level surface and care should be taken to avoid irregular surfaces, such as may result from carpets or tiled surrounds partially protruding under the heater.

INTRODUCTION

Storage heaters are designed to take advantage of the considerable economical benefits of any restricted hour electricity tariff.

The heaters consume electricity only during the night, but due to the highly efficient storage medium, give you a truly economical 24 hours of comfort temperatures.

Type	SH6M	SH9M / A	SH12M / A	SH15M / A	SH18M / A	SH24M / A
Input	0.8 kW	1.2 kW	1.6 kW	2.0 kW	2.4 kW	3.2 kW
Voltage	220 – 240 V-					
Charge	6.4 kWh	9.6 kWh	12.8 kWh	16.0 kWh	19.2 kWh	25.6 kWh
Weight	43 kg	61 kg	79 kg	98 kg	116 kg	152 kg
L	31.5 cm	43 cm	54 cm	65 cm	76.5 cm	99 cm
W	15 cm					
H	72.5 cm					
8.5 kg brick	4	-	8	4	12	16
13 kg brick	-	4	-	4	-	-

The input control operates a highly sensitive thermostat which regulates the amount of heat stored.

The discharge is by convection heat which can be partially controlled by use of the output control. Please note that Type SH6M is fully automatic with no output control.

It is important that the correct rating of heater is installed to provide the selected level of heat. This will ensure the best possible running costs against other fuels.

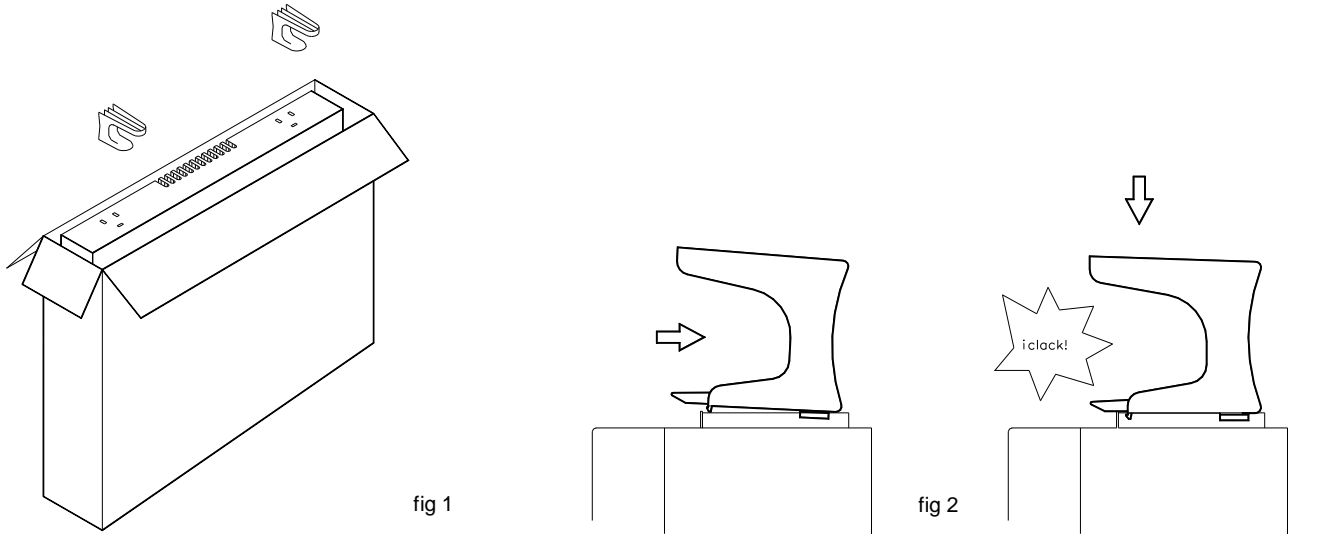
To reduce transport problems, the heater casings and storage bricks are packed separately.

You should be aware that Storage heaters, when fully charged, can have high surface temperatures.

2.- INSTALLATION INSTRUCTIONS

1.- Chose the right place to install the heater. It is necessary that a minimum clearance of 50 cm is allowed to ensure the best heating results. Always maintain a minimum clearance of 50 cm from the heater to any combustible materials such as furniture and curtains.

2.- Open the carton at the indicated side and fix the feet without removing the heater casing (fig 1). The screws are in the accessories bag. Turn the carton upside down to allow the heater to stand on its feet and remove the carton. Check that it is the correct model and that it is in good condition.



3.- Take off the front panel by removing the two screws at the bottom of the heater.

4.- Set the heater in the selected installation area and mark the fixing points on the wall using a pencil. Use the heater fixing holes as a template and mark the wall through the fixing holes. Drill the required holes into the wall.

5.- Fix the heater to the wall. Please note the weight of the heater is taken by the feet, the wall fixing screws are only to prevent the heater overturning. If there is any doubt as to the strength of the wall please consult an expert. **Storage heaters are very heavy and the installer must ensure that they are securely fixed and that there is no possibility of them overturning.**

6.- Connect the heater using the enclosed wiring diagram. Ensure that all connections are firm. Use silicone covered wire. Do not leave any remaining wire inside the heater.

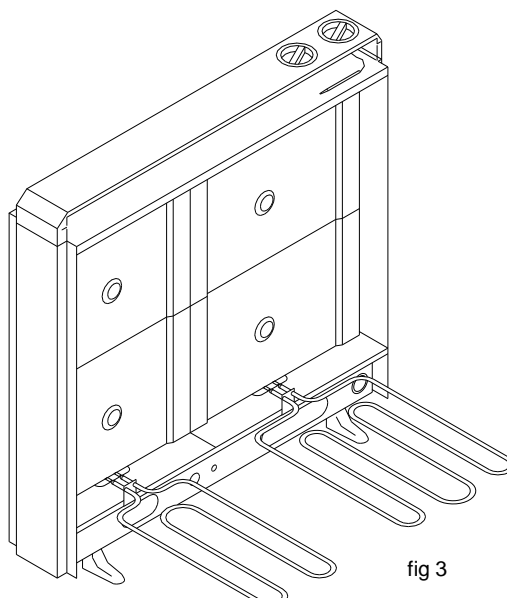
7.- Remove the inner front panel with the attached convector element.

Warning!

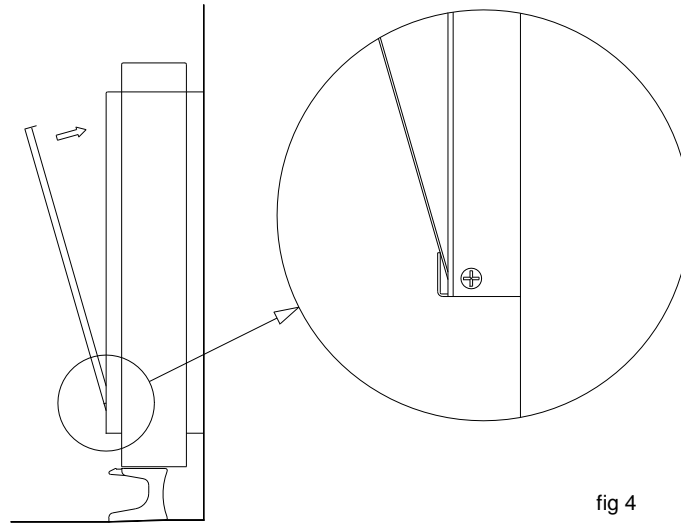
At the other side of this front panel there is a breakable thermal insulation panel. Both sides must be handled with care. Avoid touching the insulation and the convector element.

8.- Do not disconnect the electrical elements. Remove the packaging then lift and recline the elements.

9.- Place the storage bricks carefully, with the flat side facing the back of the heater. Arrange two rows of bricks (fig 3). Should big bricks (ref 11072) are required they must be placed at the right side.



10.- Fix the elements in their original position. Place the other two rows of bricks with the knobs face to face.

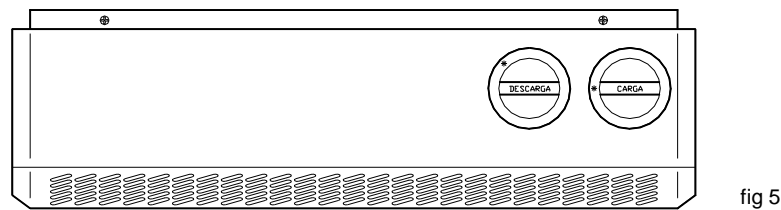


11.- Refit the inner front panel. If the bricks have been fitted correctly you will find no difficulty in refitting the panel (fig 4).

12.- Attach the front panel and fix it at the bottom edge with the two screws provided.

3.- USING THE STORAGE HEATER

The two controls at the top of the heater govern the input and output functions. Both are printed with the numbers 1 to 5.



The charge (INPUT) control allows you to select the amount of heat you wish to store during the night.

During mild weather, it is normal to set your input control in a medium position. In cooler weather, the control could be set at 5 to give maximum heat retention.

The stored heat will be delivered to the room by both radiant and convected methods. The convected heat can be regulated by using the output control (OUTPUT) This control governs the continuous flow of convected heat from the outlet grill. Type SH6M is completely automatic and has no output control.

All heaters have an exclusive feature which makes it unnecessary to close the output control at night. The outlet grill will close automatically at the beginning of the overnight charge.

4.- MAINTENANCE OF YOUR STORAGE HEATER

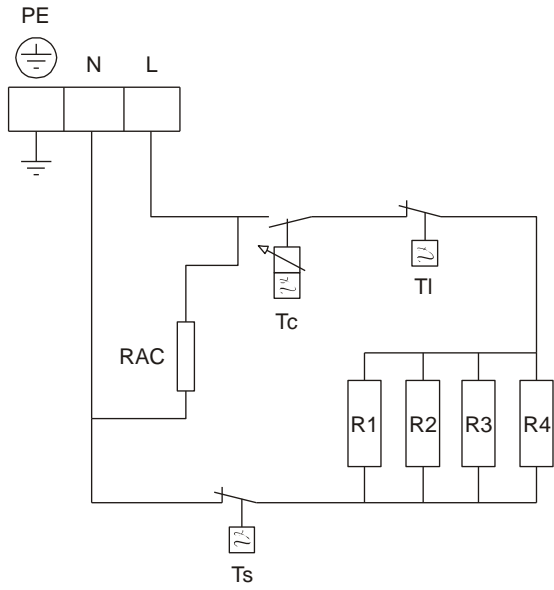
This storage heater does not require any special care. During the first few charges you may be aware of an unusual odour. This is normal and if it happens please ventilate the room until the odour disappears.

If dust accumulates on the heater surface it can be removed using a wet cloth when the heater is cold. Do not use solvents or abrasive products for cleaning.

Mathius night storage heaters are manufactured under an assured quality system using environment friendly procedures.

Please take the heaters to a clean point once their useful life is finished, in order to recycle their materials in the right way.

WIRING DIAGRAM



R1, R2, R3, R4
 Resistencias principales
 Resistencias principais
 Main heating elements

	SH6M	SH12M/A	SH18M/A	SH24M/A
R1	800W	-	800W	800W
R2	-	800W	-	800W
R3	-	-	800W	800W
R4	-	-	-	800W

WIRING

RAC	Accelerating Resistance
Tc	Control thermostat
Ts	Safety
PE	Earth
L	Live
N	Neutral



E: El símbolo en el producto indica que el mismo no se debe cubrir.
GB: The symbol on the product indicates that this appliance should not be covered.
P: O símbolo no producto indica que este aparelho não se deve cobrir.

E



El símbolo en el producto o en su embalaje indica que este producto no se puede tratar como desperdicio normales del hogar. Este producto se debe entregar al punto de recolección de equipos eléctricos y electrónicos para reciclaje. Al asegurarse de que este producto se deseché correctamente usted ayudará a evitar posibles consecuencias negativas para el ambiente y la salud pública, lo cual podría ocurrir si este producto no se manipula de forma adecuada. Para obtener información más detallada sobre el reciclaje de este producto, póngase en contacto con la administración de su ciudad, con su servicio de desechos del hogar o con la tienda donde compró el producto. Estas disposiciones solamente son válidas en los países miembros de la UE.

GB



The symbol on the product or in its packaging indicates that this product may not be treated as household waste. Instead it shall be handed over to the applicable collection point for the recycling of electrical and electronic equipment. By ensuring this product is disposed of correctly, you will help prevent potential negative consequences for the environment and human health, which could otherwise be caused by inappropriate waste handling of this product. For more detailed information about recycling of this product, please contact your local city office, your household waste disposal service or the shop where you purchased the product. These instructions are only valid in the EU member states.

P



O símbolo no produto ou na embalagem indica que este produto não pode ser tratado como lixo doméstico. Em vez disso, deve ser entregue ao centro de recolha selectiva para a reciclagem de equipamento eléctrico e electrónico. Ao garantir uma eliminação adequada deste produto, irá ajudar a evitar eventuais consequências negativas para o meio ambiente e para a saúde pública, que, de outra forma, poderiam ser provocadas por um tratamento incorrecto do produto. Para obter informações mais pormenorizadas sobre a reciclagem deste produto, contacte os serviços municipalizados locais, o centro de recolha selectiva da sua área de residência ou estabelecimento onde adquiriu o produto. Este regulamento só é valido no países da União Europeia.

MATHIUS

Elnur UK Ltd
16 Brown Street North
Leigh, Lancashire, WN7 1BU
Sales / Technical: **01942 670119**

