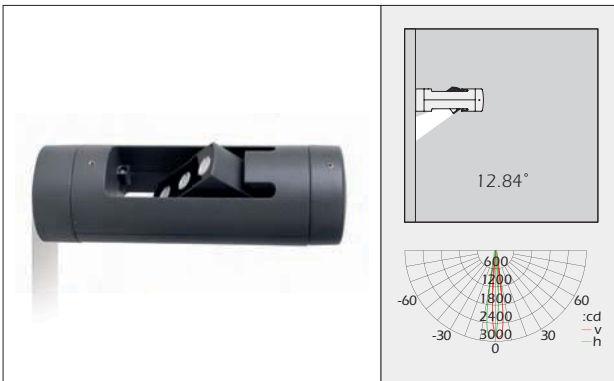


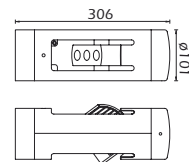
# CYLIN WALL



## UT/CYLINW6141-1



h(m)	Eavg(lx)	Emax(lx)	D(m)
1	2006	2931	0.23
2	501.6	732.8	0.45
3	222.9	325.7	0.68
4	125.4	183.2	0.9
5	80.26	117.2	1.13

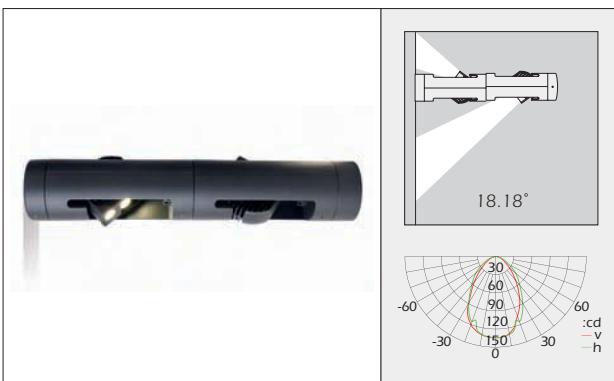


**Light Output (Lumens) 395**  
**Watt 3x3W LED**  
**Finish: Graphite**

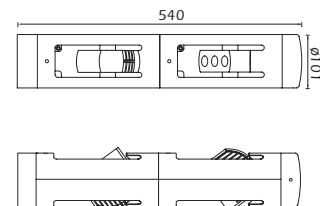


**Projector is directional**

## UT/CYLINW6141-2



h(m)	Eavg(lx)	Emax(lx)	D(m)
1	4039	5434	0.32
2	1010	1358	0.64
3	448.7	603.7	0.96
4	252.4	339.6	1.28
5	161.5	217.3	1.6



**Light Output (Lumens) 810**  
**Watt 2x3\*3W LED**  
**Finish: Graphite**



**Projector is directional**