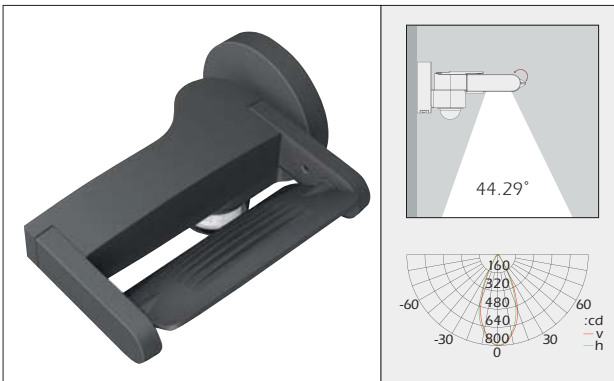


LEDSPOT PIR



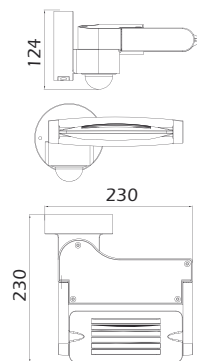
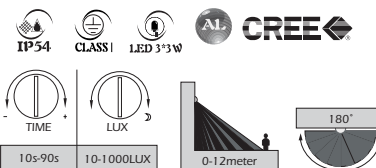
NB on both models: Projector is directional and housing is rotational.

UT/LEDSPOT 3-PIR

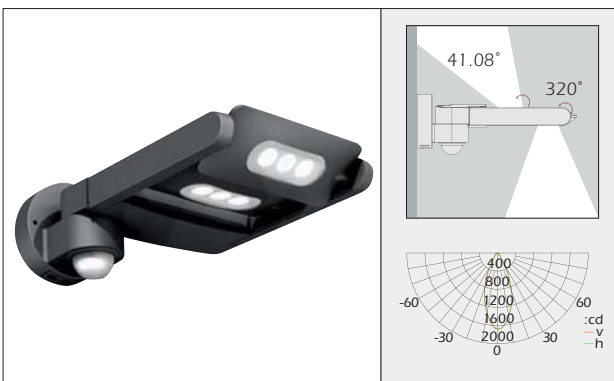


h(m)	Eavg(lx)	Emax(lx)	D(m)
1	521.4	799.4	0.84
2	130.3	199.8	1.63
3	57.93	88.82	2.44
4	32.59	49.96	3.26
5	20.86	31.98	4.07

Light Output (Lumens) 590
Watt 3x3W LED
Finish: Graphite



UT/LEDSPOT 6-PIR



h(m)	Eavg(lx)	Emax(lx)	D(m)
1	1054	1676	0.75
2	263.5	418.9	1.5
3	117.1	186.2	2.25
4	65.88	104.7	3
5	42.16	67.02	3.75

Light Output (Lumens) 1180
Watt 2x3*3W LED
Finish: Graphite

