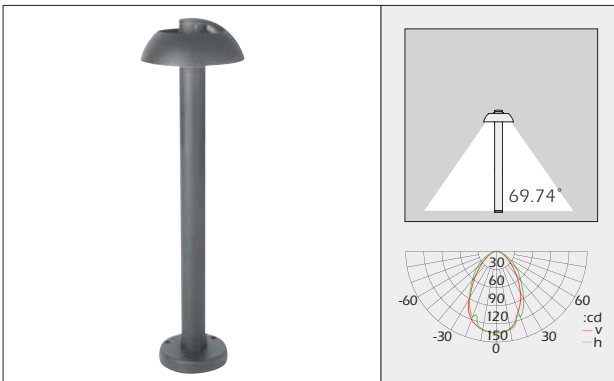


SPRIL

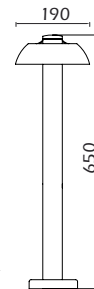


UT/SPRIL P2252S

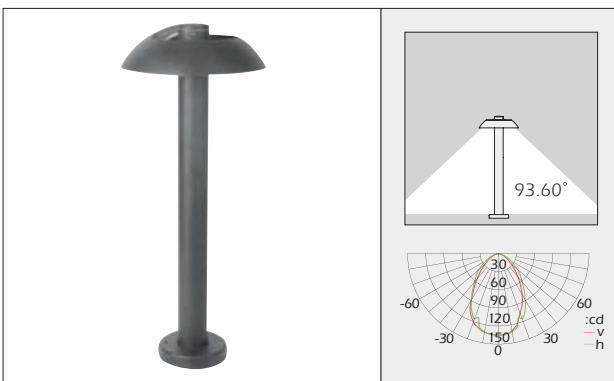


h(m)	Eavg(lx)	Emax(lx)	D(m)
1	76.1	134.8	1.39
2	19.03	33.69	2.79
3	8.456	14.98	4.18
4	4.756	8.423	5.57
5	3.044	5.391	6.97

Light Output (Lumens) 300
Watt 6x1W LED
Finish: Graphite



UT/SPRIL P2252M



h(m)	Eavg(lx)	Emax(lx)	D(m)
1	131.4	324.6	2.13
2	32.86	81.15	4.26
3	14.61	36.07	6.39
4	8.215	20.29	8.52
5	5.258	12.98	10.6

Light Output (Lumens) 680
Watt 8x3W LED
Finish: Graphite

