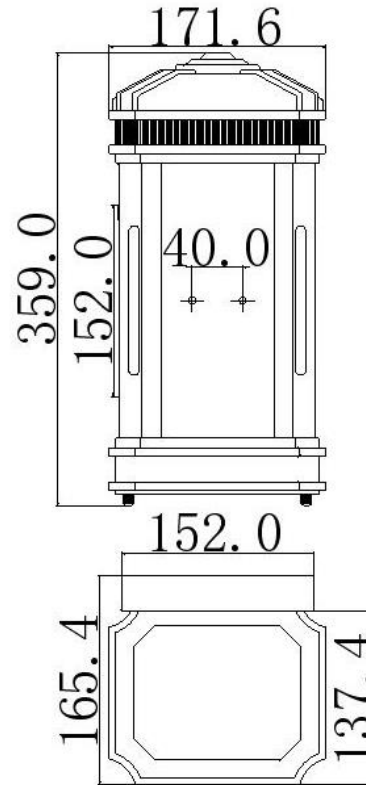


**BRAND: FEDERAL**
**STYLE: 2LT WALL LIGHT**


1. Item Code	FE/FEDERAL/S	23. Maximum Drop	N/A
2. Drawing No.	FE OLI0800 Federal S	24. Adjustable?	NO
3. Tested?	No	25. Shade/Glass Material	CLEAR SEEDED GLASS
4. Final Sign-off Sample Done?	No	26. Shade Width (mm)	171.6
5. Category	OUTDOOR	27. Shade Height (mm)	359
6. Type	FLUSH	28. Shade Depth (mm)	137.4
7. Finish	GILDED BRONZE	29. Size of Back-Plate/Ceiling Rose (mm)	N/A
8. IP Rating	IP44	30. Main Material	STEEL & EPMM
9. Class	I	31. Power Cable Colour	N/A
10. Voltage	240V	32. Power Cable Length (mm)	200
11. Wattage (1)	2 X MAX 60W	33. Chain Length (mm)	N/A
12. Wattage (2)	N/A	34. Rod Length (mm)	N/A
13. Lamp Holder Type (1)	2 X E14	35. PIR	NO
14. Lamp Holder Type (2)	N/A	36. Switch Type and location	N/A
15. No. of Lamps	2	37. Connection Method	IP44 Terminal Block on a 200mm tail
16. Lamp Supplied	NO	38. Plug Type	N/A
17. Dimmable?	DEPENDENT ON LAMP	39. Plug Colour	N/A
18. Lumen Output & Colour Temp	N/A	40. Product Weight (kg)	2.27
19. Overall Width/Diameter (mm)	171.6	41. Carton Dimensions (mm)	460 x 280 x 325
20. Overall Height (mm)	359	42. Carton Weight (kg)	3
21. Overall Depth (mm)	165.4	43. Notes 1	Clear Seeded Glass Bottom Panel
22. Minimum Drop	N/A	44. Notes 2	