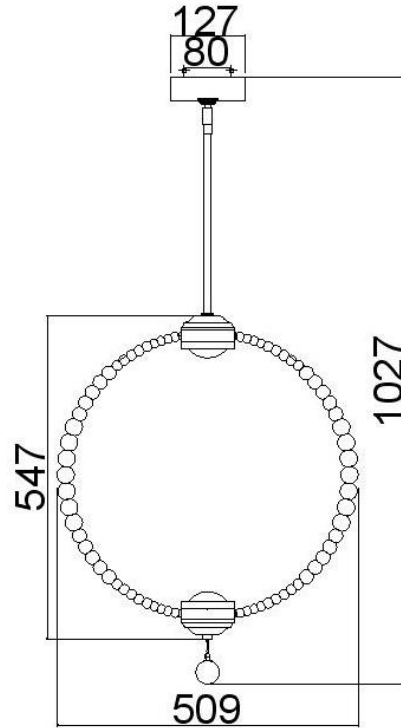


BRAND: Oberlin
STYLE: LED Pendant Medium


1. Item Code	FE/OBERLIN/P/M	23. Maximum Drop	2099
2. Drawing No.	FE P1426 Oberlin PM	24. Adjustable?	Yes – Height Adjustable
3. Tested?	No	25. Shade/Glass Material	N/a
4. Final Sign-off Sample Done?	No	26. Shade Width (mm)	N/a
5. Category	Indoors	27. Shade Height (mm)	N/a
6. Type	Pendant	28. Shade Depth (mm)	N/a
7. Finish	Satin Nickel	29. Size of Back-Plate/Ceiling Rose (mm)	127 x 127
8. IP Rating	N/a	30. Main Material	Steel
9. Class	I	31. Power Cable Colour	N/a
10. Voltage	220v	32. Power Cable Length (mm)	4572
11. Wattage (1)	2 x 8w	33. Chain Length (mm)	N/a
12. Wattage (2)	N/a	34. Rod Length (mm)	4 x 304mm, 1 x 152mm
13. Lamp Holder Type (1)	2 x Integrated LED Module	35. PIR	No
14. Lamp Holder Type (2)	N/a	36. Switch Type and location	N/a
15. No. of Lamps	2	37. Connection Method	Terminal Block
16. Lamp Supplied	Yes	38. Plug Type	N/a
17. Dimmable?	Not with Lamp Supplied	39. Plug Colour	N/a
18. Lumen Output & Colour Temp	Lamps:800Lm & 3000k	40. Product Weight (kg)	7.5
19. Overall Width/Diameter (mm)	509	41. Carton Dimensions (mm)	584 x 584 x 248
20. Overall Height (mm)	1027 (As Shown)	42. Carton Weight (kg)	9.3
21. Overall Depth (mm)	509	43. Notes 1	
22. Minimum Drop	730	44. Notes 2	