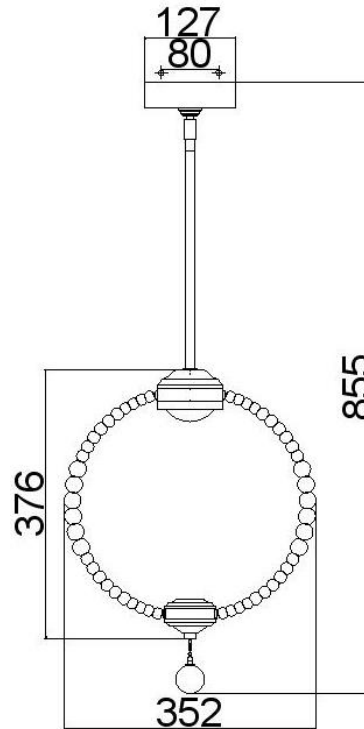


BRAND: Oberlin

STYLE: LED Pendant Small



1. Item Code	FE PI 436 Oberlin PS	23. Maximum Drop	1588
2. Drawing No.	Oberlin FE PI 436	24. Adjustable?	Yes – Height Adjustable
3. Tested?	No	25. Shade/Glass Material	N/a
4. Final Sign-off Sample Done?	No	26. Shade Width (mm)	N/a
5. Category	Indoors	27. Shade Height (mm)	N/a
6. Type	Pendant	28. Shade Depth (mm)	N/a
7. Finish	Satin Nickel	29. Size of Back-Plate/Ceiling Rose (mm)	127 x 127
8. IP Rating	N/a	30. Main Material	Steel
9. Class	I	31. Power Cable Colour	N/a
10. Voltage	220v	32. Power Cable Length (mm)	4572
11. Wattage (1)	1 x 8w	33. Chain Length (mm)	N/a
12. Wattage (2)	N/a	34. Rod Length (mm)	3 x 304mm, 1 x 152mm
13. Lamp Holder Type (1)	1 x Integrated LED Module	35. PIR	No
14. Lamp Holder Type (2)	N/a	36. Switch Type and location	N/a
15. No. of Lamps	1	37. Connection Method	Terminal Block
16. Lamp Supplied	Yes	38. Plug Type	N/a
17. Dimmable?	Not with Lamp Supplied	39. Plug Colour	N/a
18. Lumen Output & Colour Temp	Lamp: 800Lm & 3000k	40. Product Weight (kg)	4
19. Overall Width/Diameter (mm)	352	41. Carton Dimensions (mm)	432 x 432 x 483
20. Overall Height (mm)	855 (As Shown)	42. Carton Weight (kg)	5.3
21. Overall Depth (mm)	352	43. Notes 1	
22. Minimum Drop	508	44. Notes 2	