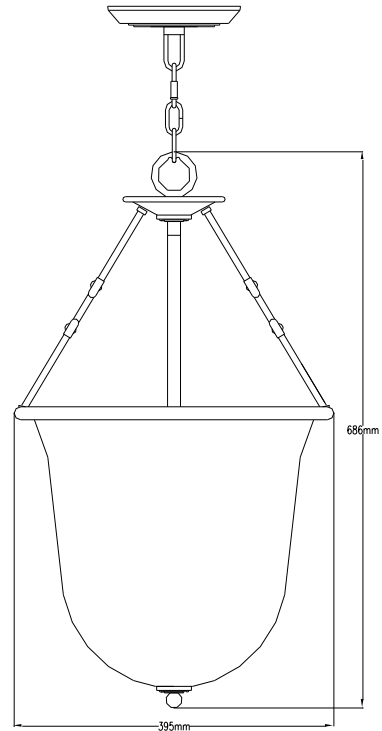


**RANGE: HINKLEY**
**STYLE: DAKOTA 3LT PENDANT**


|                                 |                         |  |                          |
|---------------------------------|-------------------------|--|--------------------------|
| 1. Item Code                    | HK/DAKOTA/P             | 23. Minimum Drop                         | 793                      |
| 2. Drawing No.                  | HK4783 REV-A            | 24. Maximum Drop                         | 3791                     |
| 3. EAN/Barcode                  | -                       | 25. Adjustable?                          | Yes                      |
| 4. Tested?                      | No                      | 26. Shade/Glass Material                 | Clear Seeded Glass       |
| 5. Final Sign-off Sample Done?  | No                      | 27. Shade Width (mm)                     | n/a                      |
| 6. Category                     | Indoor                  | 28. Shade Height (mm)                    | n/a                      |
| 7. Type                         | Pendant                 | 29. Shade Depth (mm)                     | n/a                      |
| 8. Finish                       | Polished Antique Nickel | 30. Size of Back-Plate/Ceiling Rose (mm) | 165 x 165                |
| 9. IP Rating                    | n/a                     | 31. Main Material                        | Mild Steel               |
| 10. Class                       | I                       | 32. Power Cable Colour                   | Clear                    |
| 11. Voltage                     | 240V                    | 33. Power Cable Length (mm)              | Adequate To Chain Length |
| 12. Wattage (1)                 | 60                      | 34. Chain Length (mm)                    | 3048                     |
| 13. Wattage (2)                 | n/a                     | 35. Rod Length (mm)                      | n/a                      |
| 14. Lamp Holder Type (1)        | E14                     | 36. PIR                                  | No                       |
| 15. Lamp Holder Type (2)        | n/a                     | 37. Switch Type and location             | n/a                      |
| 16. No. of Lamps                | 3                       | 38. Connection Method                    | Terminal Connection      |
| 17. Lamp Supplied               | None                    | 39. Plug Type                            | n/a                      |
| 18. Dimmable?                   | Depends On Lamp         | 40. Plug Colour                          | n/a                      |
| 19. Lumen Output                | Depends On Lamp         | 41. Product Weight (kg)                  | 9                        |
| 20. Overall Width/Diameter (mm) | 395                     | 42. Carton Dimensions (mm)               | -                        |
| 21. Overall Height (mm)         | 686                     | 43. Carton Weight (kg)                   | -                        |
| 22. Overall Depth (mm)          | 395                     | 44. Notes                                | -                        |