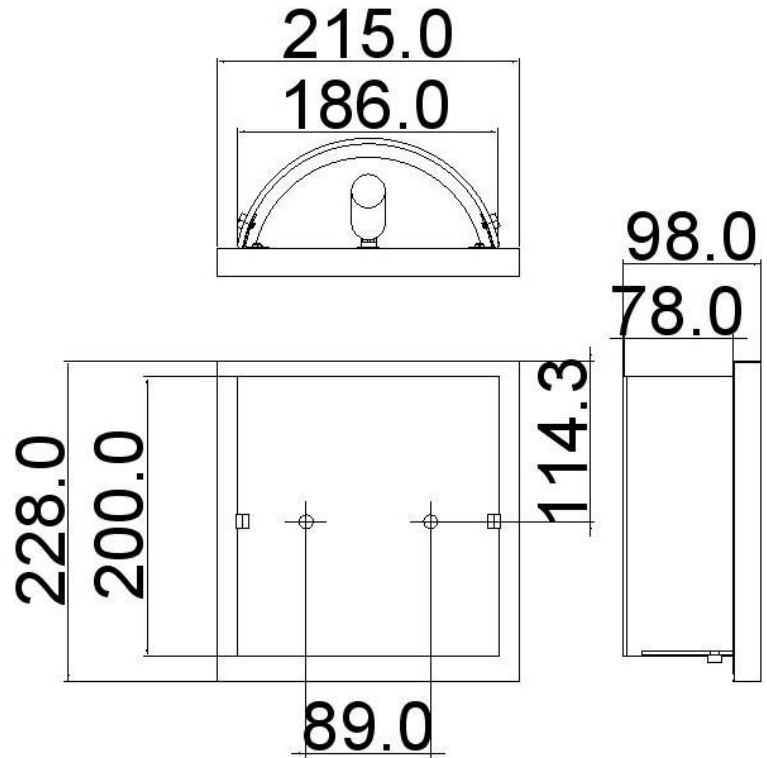
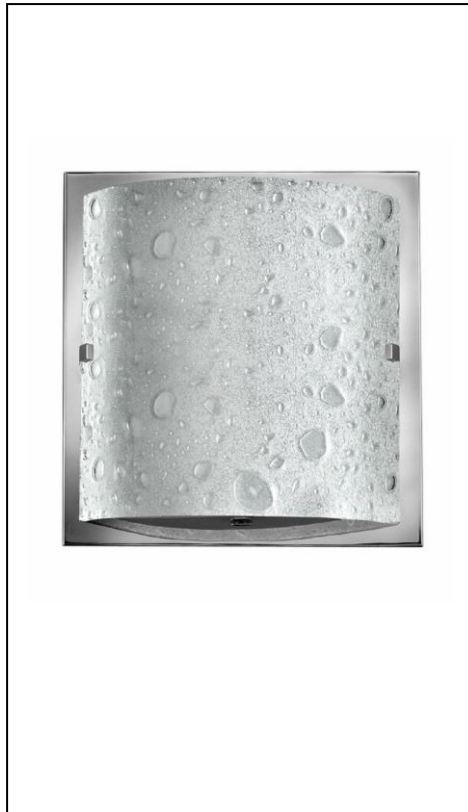


BRAND: Daphne

STYLE: 1Lt Wall Light



1. Item Code	HK/DAPHNE1 BATH	23. Maximum Drop	N/A
2. Drawing No.	HK 5920 Daphne I	24. Adjustable?	NO
3. Tested?	No	25. Shade/Glass Material	BUBBLE ART GLASS
4. Final Sign-off Sample Done?	No	26. Shade Width (mm)	186
5. Category	BATHROOM	27. Shade Height (mm)	200
6. Type	WALL LIGHT	28. Shade Depth (mm)	78
7. Finish	CHROME	29. Size of Back-Plate/Ceiling Rose (mm)	215.9 X 228.6 X 20
8. IP Rating	IP44	30. Main Material	Steel and Glass
9. Class	I	31. Power Cable Colour	N/A
10. Voltage	230V	32. Power Cable Length (mm)	150
11. Wattage (1)	1 x 3.5W	33. Chain Length (mm)	N/A
12. Wattage (2)	N/A	34. Rod Length (mm)	N/A
13. Lamp Holder Type (1)	1 x G9 LED	35. PIR	NO
14. Lamp Holder Type (2)	N/A	36. Switch Type and location	N/A
15. No. of Lamps	1	37. Connection Method	IP44 Terminal Block on 150mm tail
16. Lamp Supplied	Yes	38. Plug Type	N/A
17. Dimmable?	Not with Lamp Supplied	39. Plug Colour	N/A
18. Lumen Output & Colour Temp	LAMP: 320LM & 3000K	40. Product Weight (kg)	1.02
19. Overall Width/Diameter (mm)	215	41. Carton Dimensions (mm)	310 x 220 x 195
20. Overall Height (mm)	228	42. Carton Weight (kg)	1.62
21. Overall Depth (mm)	98	43. Notes 1	
22. Minimum Drop	N/A	44. Notes 2	