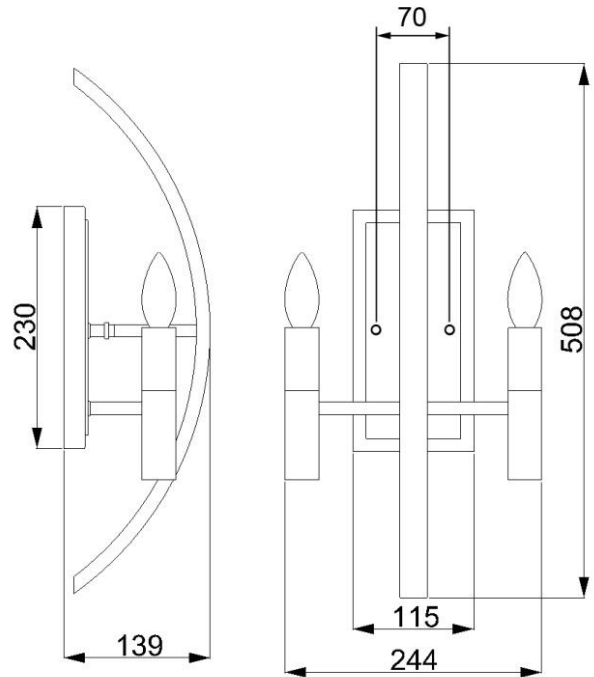


BRAND: Euclid
STYLE: 2 arm wall light


1. Item Code	HK/EUCLID2	23. Maximum Drop	N/A
2. Drawing No.	HK 3460 Euclid 2	24. Adjustable?	No
3. Tested?	No	25. Shade/Glass Material	N/A
4. Final Sign-off Sample Done?	No	26. Shade Width (mm)	N/A
5. Category	Indoors	27. Shade Height (mm)	N/A
6. Type	Wall	28. Shade Depth (mm)	N/A
7. Finish	Spanish Bronze	29. Size of Back-Plate/Ceiling Rose (mm)	230 x 115mm
8. IP Rating	N/A	30. Main Material	Mild steel
9. Class	I	31. Power Cable Colour	Blue / brown
10. Voltage	240v	32. Power Cable Length (mm)	Supplied with 200mm tail
11. Wattage (1)	2 x 60w max	33. Chain Length (mm)	N/A
12. Wattage (2)	N/A	34. Rod Length (mm)	N/A
13. Lamp Holder Type (1)	E14	35. PIR	No
14. Lamp Holder Type (2)	N/A	36. Switch Type and location	N/A
15. No. of Lamps	2	37. Connection Method	Terminal block
16. Lamps Supplied	No	38. Plug Type	N/A
17. Dimmable?	Depends on lamps used	39. Plug Colour	N/A
18. Lumen Output & Colour Temp	N/A	40. Product Weight (kg)	1.50
19. Overall Width/Diameter (mm)	244	41. Carton Dimensions (mm)	292mm x 191mm x 559mm
20. Overall Height (mm)	508	42. Carton Weight (kg)	2.41
21. Overall Depth (mm)	139	43. Notes 1	
22. Minimum Drop	N/A	44. Notes 2	