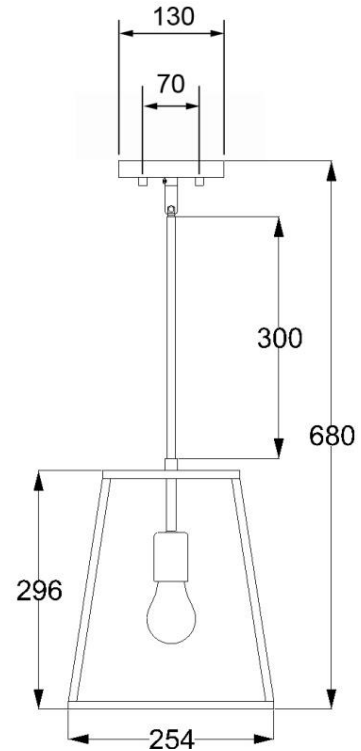


BRAND: Fulton

STYLE: I light pendant



1. Item Code	HK/FULTON/P	23. Maximum Drop	1294mm
2. Drawing No.	HK 3351 Fulton P	24. Adjustable?	Yes - height, by extension rods
3. Tested?	No	25. Shade/Glass Material	N/A
4. Final Sign-off Sample Done?	No	26. Shade Width (mm)	N/A
5. Category	Indoors	27. Shade Height (mm)	N/A
6. Type	Pendant	28. Shade Depth (mm)	N/A
7. Finish	BZ - Bronze	29. Size of Back-Plate/Ceiling Rose (mm)	130mm diameter
8. IP Rating	N/A	30. Main Material	Mild steel
9. Class	I	31. Power Cable Colour	Gold
10. Voltage	240v	32. Power Cable Length (mm)	3100
11. Wattage (1)	1 x 100w max	33. Chain Length (mm)	N/A
12. Wattage (2)	N/A	34. Rod Length (mm)	1x457 and 1x305 and 1x152mm rods
13. Lamp Holder Type (1)	E27	35. PIR	No
14. Lamp Holder Type (2)	N/A	36. Switch Type and location	N/A
15. No. of Lamps	1	37. Connection Method	Terminal block
16. Lamps Supplied	No	38. Plug Type	N/A
17. Dimmable?	Depends on lamps used	39. Plug Colour	N/A
18. Lumen Output & Colour Temp	N/A	40. Product Weight (kg)	1.68
19. Overall Width/Diameter (mm)	254	41. Carton Dimensions (mm)	420mm x 305mm x 305mm
20. Overall Height (mm)	680 (as shown)	42. Carton Weight (kg)	2.2
21. Overall Depth (mm)	254	43. Notes 1	Supply with extension rods
22. Minimum Drop	380	44. Notes 2	