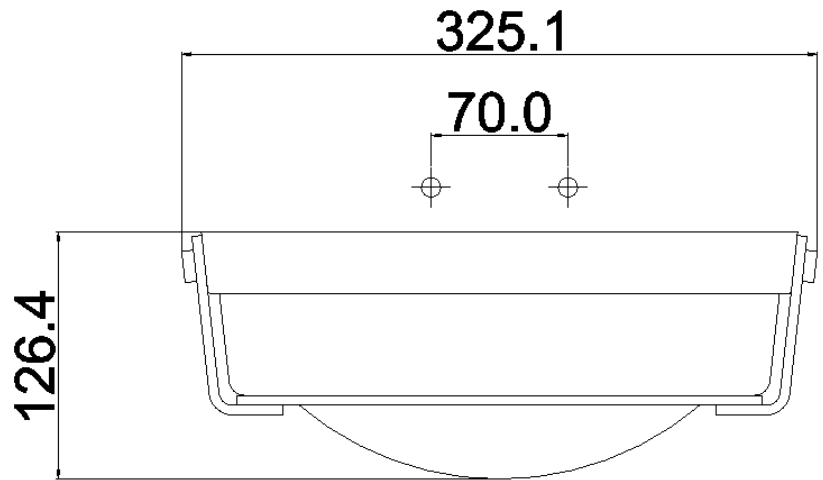


BRAND: HATHAWAY

STYLE: 2LT FLUSH



| | | | |
|---------------------------------|----------------------------|--|-----------------|
| 1. Item Code | HK/HATHWAY/F/S | 23. Maximum Drop | N/A |
| 2. Drawing No. | HK 3223 HATHAWAY FS | 24. Adjustable? | NO |
| 3. Tested? | No | 25. Shade/Glass Material | ETCHED GLASS |
| 4. Final Sign-off Sample Done? | No | 26. Shade Width (mm) | 288 |
| 5. Category | INDOORS | 27. Shade Height (mm) | 100 |
| 6. Type | FLUSH | 28. Shade Depth (mm) | 288 |
| 7. Finish | OLD BRONZE/ ANTIQUE NICKEL | 29. Size of Back-Plate/Ceiling Rose (mm) | 305 x 305 |
| 8. IP Rating | N/A | 30. Main Material | STEEL AND GALSS |
| 9. Class | I | 31. Power Cable Colour | N/A |
| 10. Voltage | 230V | 32. Power Cable Length (mm) | 150 |
| 11. Wattage (1) | 2 x MAX 60W | 33. Chain Length (mm) | N/A |
| 12. Wattage (2) | N/A | 34. Rod Length (mm) | N/A |
| 13. Lamp Holder Type (1) | 2 x E27 | 35. PIR | NO |
| 14. Lamp Holder Type (2) | N/A | 36. Switch Type and location | N/A |
| 15. No. of Lamps | 2 | 37. Connection Method | TERMINAL BLOCK |
| 16. Lamp Supplied | NO | 38. Plug Type | N/A |
| 17. Dimmable? | DEPENDANT ON LAMP | 39. Plug Colour | N/A |
| 18. Lumen Output & Colour Temp | N/A | 40. Product Weight (kg) | 2.89 |
| 19. Overall Width/Diameter (mm) | 325.1 | 41. Carton Dimensions (mm) | 375 x 375 x 255 |
| 20. Overall Height (mm) | 126.4 | 42. Carton Weight (kg) | 3.82 |
| 21. Overall Depth (mm) | 325.1 | 43. Notes 1 | |
| 22. Minimum Drop | N/A | 44. Notes 2 | |