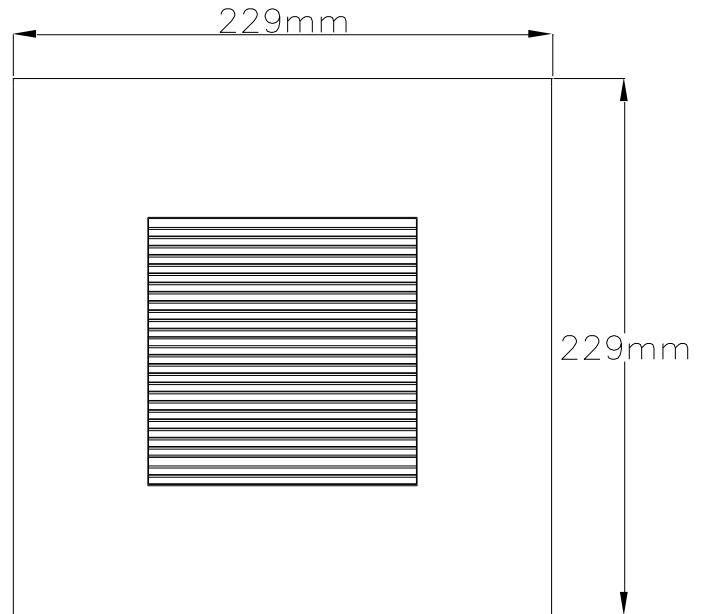


**RANGE: HINKLEY**

**STYLE: WALL LIGHT**



|                                 |                       |  |                |
|---------------------------------|-----------------------|--|----------------|
| 1. Item Code                    | HK/LUNA/SK            | 23. Minimum Drop                         | n/a            |
| 2. Drawing No.                  | HK 1647SK             | 24. Maximum Drop                         | n/a            |
| 3. EAN/Barcode                  | -                     | 25. Adjustable?                          | No             |
| 4. Tested?                      | No                    | 26. Shade/Glass Material                 | Etched Glass   |
| 5. Final Sign-off Sample Done?  | No                    | 27. Shade Width (mm)                     | n/a            |
| 6. Category                     | Outdoor               | 28. Shade Height (mm)                    | n/a            |
| 7. Type                         | Wall Light            | 29. Shade Depth (mm)                     | n/a            |
| 8. Finish                       | Satin Black           | 30. Size of Back-Plate/Ceiling Rose (mm) | 114 x 170      |
| 9. IP Rating                    | 44                    | 31. Main Material                        | Aluminium      |
| 10. Class                       | I                     | 32. Power Cable Colour                   | Black          |
| 11. Voltage                     | 240                   | 33. Power Cable Length (mm)              | 200            |
| 12. Wattage (1)                 | 7                     | 34. Chain Length (mm)                    | n/a            |
| 13. Wattage (2)                 | n/a                   | 35. Rod Length (mm)                      | n/a            |
| 14. Lamp Holder Type (1)        | E14                   | 36. PIR                                  | No             |
| 15. Lamp Holder Type (2)        | n/a                   | 37. Switch Type and location             | n/a            |
| 16. No. of Lamps                | 2                     | 38. Connection Method                    | Terminal Block |
| 17. Lamp Supplied               | LED Candle Bulb 2700k | 39. Plug Type                            | n/a            |
| 18. Dimmable?                   | Depends On Lamp       | 40. Plug Colour                          | n/a            |
| 19. Lumen Output                | Depends On Lamp       | 41. Product Weight (kg)                  | 2.9            |
| 20. Overall Width/Diameter (mm) | 229                   | 42. Carton Dimensions (mm)               | -              |
| 21. Overall Height (mm)         | 229                   | 43. Carton Weight (kg)                   | 3.7            |
| 22. Overall Depth (mm)          | 102                   | 44. Notes                                | -              |