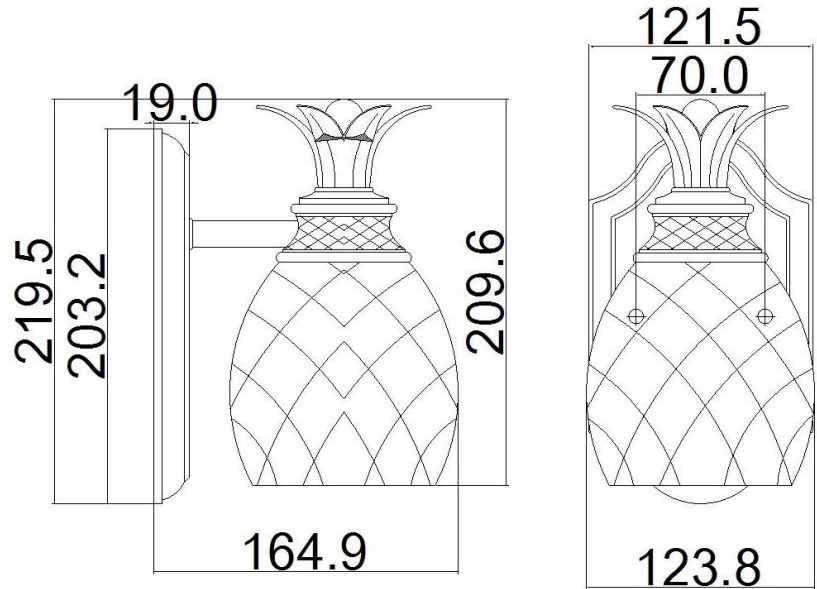
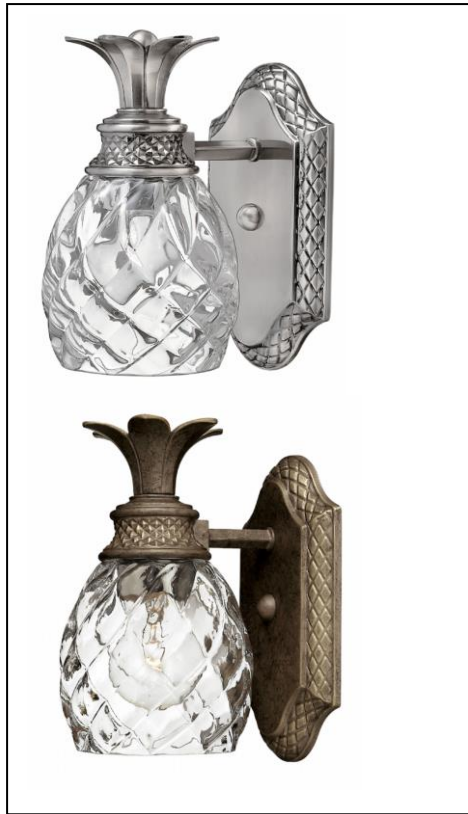


**BRAND: PLANTATION**
**STYLE: ILT WALL LIGHT**


|                                 |  |  |                                     |
|---------------------------------|--|--|-------------------------------------|
| 1. Item Code                    | HK/PLANT/BATH PL or PZ                   | 23. Maximum Drop                         | N/A                                 |
| 2. Drawing No.                  | HK 5310 Plant                            | 24. Adjustable?                          | NO                                  |
| 3. Tested?                      | No                                       | 25. Shade/Glass Material                 | Clear Optic Glass                   |
| 4. Final Sign-off Sample Done?  | No                                       | 26. Shade Width (mm)                     | 123.8                               |
| 5. Category                     | BATHROOM                                 | 27. Shade Height (mm)                    | 125.7                               |
| 6. Type                         | WALL LIGHT                               | 28. Shade Depth (mm)                     | 123.8                               |
| 7. Finish                       | POLISHED ANTIQUE NICKEL,<br>PEARL BRONZE | 29. Size of Back-Plate/Ceiling Rose (mm) | 121.5 x 203.2 x 19                  |
| 8. IP Rating                    | IP44                                     | 30. Main Material                        | STEEL & ALUMINUM                    |
| 9. Class                        | I  | 31. Power Cable Colour                   | N/A                                 |
| 10. Voltage                     | 240V                                     | 32. Power Cable Length (mm)              | 200                                 |
| 11. Wattage (1)                 | 1 x 3.5W                                 | 33. Chain Length (mm)                    | N/A                                 |
| 12. Wattage (2)                 | N/A                                      | 34. Rod Length (mm)                      | N/A                                 |
| 13. Lamp Holder Type (1)        | 1 x G9 LED                               | 35. PIR                                  | NO                                  |
| 14. Lamp Holder Type (2)        | N/A                                      | 36. Switch Type and location             | N/A                                 |
| 15. No. of Lamps                | 1  | 37. Connection Method                    | IP44 Terminal Block with 200mm tail |
| 16. Lamp Supplied               | Yes                                      | 38. Plug Type                            | N/A                                 |
| 17. Dimmable?                   | Not with Lamp Supplied                   | 39. Plug Colour                          | N/A                                 |
| 18. Lumen Output & Colour Temp  | LAMP: 320LM & 3000K                      | 40. Product Weight (kg)                  | 0.9KG                               |
| 19. Overall Width/Diameter (mm) | 123.8                                    | 41. Carton Dimensions (mm)               | 230 x 200 x 320                     |
| 20. Overall Height (mm)         | 219.5                                    | 42. Carton Weight (kg)                   | 2                                   |
| 21. Overall Depth (mm)          | 164.9                                    | 43. Notes 1                              |                                     |
| 22. Minimum Drop                | N/A                                      | 44. Notes 2                              |                                     |