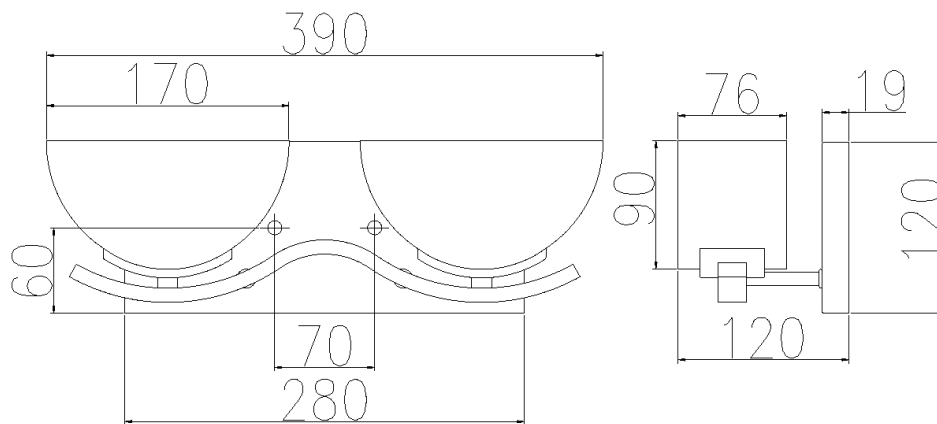


BRAND: VERVE
STYLE: 2Lt Wall Light


1. Item Code	HK/VERVE2 BATH	23. Maximum Drop	N/A
2. Drawing No.	HK 51 I02 VERVE 2	24. Adjustable?	NO
3. Tested?	No	25. Shade/Glass Material	ETCHED OPAL GLASS
4. Final Sign-off Sample Done?	No	26. Shade Width (mm)	170
5. Category	BATHROOM	27. Shade Height (mm)	90
6. Type	WALL LIGHT	28. Shade Depth (mm)	76
7. Finish	CHROME	29. Size of Back-Plate/Ceiling Rose (mm)	280 X 120 X 19
8. IP Rating	IP44	30. Main Material	Steel and Glass
9. Class	I	31. Power Cable Colour	N/A
10. Voltage	230V	32. Power Cable Length (mm)	150
11. Wattage (1)	2 x 3.5W	33. Chain Length (mm)	N/A
12. Wattage (2)	N/A	34. Rod Length (mm)	N/A
13. Lamp Holder Type (1)	2 x G9 LED	35. PIR	NO
14. Lamp Holder Type (2)	N/A	36. Switch Type and location	N/A
15. No. of Lamps	2	37. Connection Method	IP44 Terminal Block with 150mm Tail
16. Lamp Supplied	Yes	38. Plug Type	N/A
17. Dimmable?	Not with Lamp Supplied	39. Plug Colour	N/A
18. Lumen Output & Colour Temp	LAMPS: 640LM & 3000K	40. Product Weight (kg)	1.9KG
19. Overall Width/Diameter (mm)	390	41. Carton Dimensions (mm)	425 x 245 x 190
20. Overall Height (mm)	120	42. Carton Weight (kg)	2.64
21. Overall Depth (mm)	120	43. Notes 1	
22. Minimum Drop	N/A	44. Notes 2	