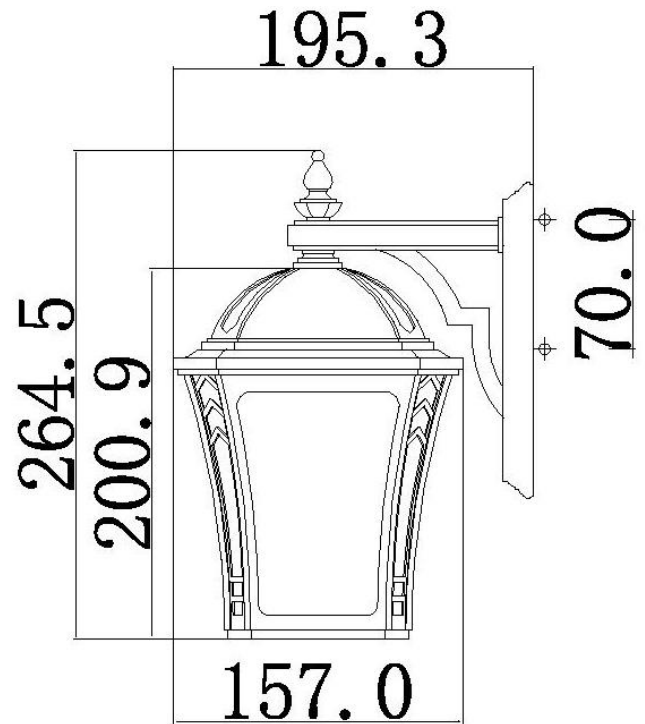


**BRAND: WABASH**
**STYLE: ILT WALL LIGHT**


|                                 |                   |  |   |
|---------------------------------|-------------------|--|---|
| 1. Item Code                    | HK/WABASH2/S      | 23. Maximum Drop                         | N/A   |
| 2. Drawing No.                  | HK 1336 Wabash 2S | 24. Adjustable?                          | NO  |
| 3. Tested?                      | No                | 25. Shade/Glass Material                 | Clear Beveled with Etched Glass Corner Panels |
| 4. Final Sign-off Sample Done?  | No                | 26. Shade Width (mm)                     | 157   |
| 5. Category                     | OUTDOORS          | 27. Shade Height (mm)                    | 200.9   |
| 6. Type                         | WALL LIGHT        | 28. Shade Depth (mm)                     | 157   |
| 7. Finish                       | MOCHA             | 29. Size of Back-Plate/Ceiling Rose (mm) | 114.3 X 172.7                                 |
| 8. IP Rating                    | IP44              | 30. Main Material                        | Aluminum                                      |
| 9. Class                        | I                 | 31. Power Cable Colour                   | N/A   |
| 10. Voltage                     | 240V              | 32. Power Cable Length (mm)              | 380   |
| 11. Wattage (1)                 | 1 X 60W           | 33. Chain Length (mm)                    | N/A   |
| 12. Wattage (2)                 | N/A               | 34. Rod Length (mm)                      | N/A   |
| 13. Lamp Holder Type (1)        | 1 X E27           | 35. PIR                                  | NO  |
| 14. Lamp Holder Type (2)        | N/A               | 36. Switch Type and location             | N/A   |
| 15. No. of Lamps                | 1                 | 37. Connection Method                    | IP44 Terminal Block on 200mm Tail             |
| 16. Lamp Supplied               | NO                | 38. Plug Type                            | N/A   |
| 17. Dimmable?                   | DEPENDANT ON LAMP | 39. Plug Colour                          | N/A   |
| 18. Lumen Output & Colour Temp  | N/A               | 40. Product Weight (kg)                  | 1.4   |
| 19. Overall Width/Diameter (mm) | 157               | 41. Carton Dimensions (mm)               | 260 x 220 x 330                               |
| 20. Overall Height (mm)         | 264.5             | 42. Carton Weight (kg)                   | 1.9   |
| 21. Overall Depth (mm)          | 195.3             | 43. Notes 1                              |   |
| 22. Minimum Drop                | N/A               | 44. Notes 2                              |   |