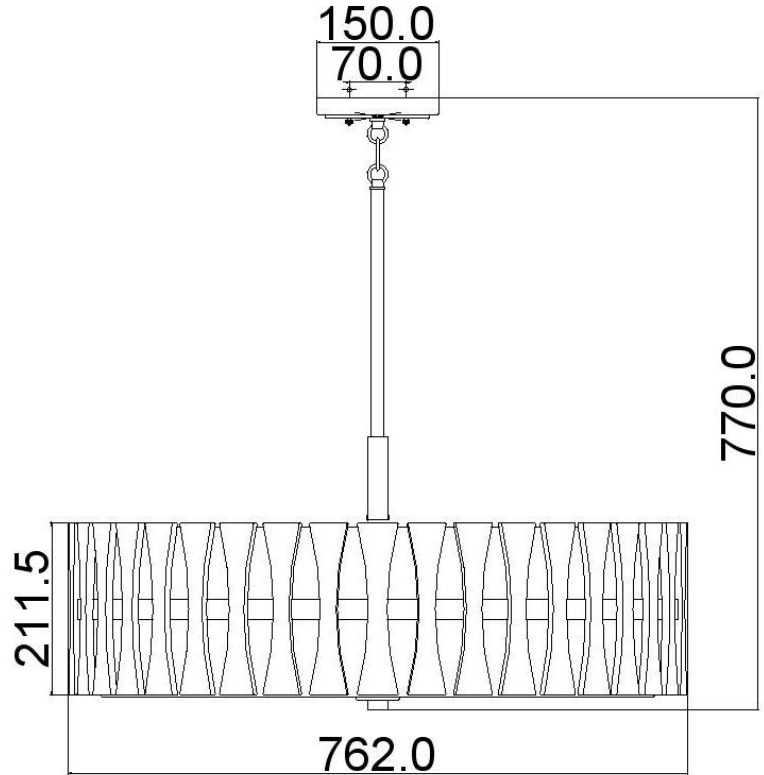


BRAND: Cirus

STYLE: 5LT PENDANT



1. Item Code	KL/CIRUS/5P	23. Maximum Drop	1379
2. Drawing No.	Cirus 5p 43754AUB REV-A	24. Adjustable?	YES – Height Adjustable
3. Tested?	No	25. Shade/Glass Material	White Linen Shade with Tempered Etched Glass Diffuser
4. Final Sign-off Sample Done?	No	26. Shade Width (mm)	687
5. Category	Indoors	27. Shade Height (mm)	209
6. Type	Pendant	28. Shade Depth (mm)	687
7. Finish	Brushed Nickel and Auburn Wood Finish	29. Size of Back-Plate/Ceiling Rose (mm)	Diameter 150
8. IP Rating	N/A	30. Main Material	Steel, Wood
9. Class	I	31. Power Cable Colour	Clear Silver
10. Voltage	240v	32. Power Cable Length (mm)	2100
11. Wattage (1)	5 X Max 100w	33. Chain Length (mm)	N/A
12. Wattage (2)	N/A	34. Rod Length (mm)	2 X 305mm, 2 X 152mm
13. Lamp Holder Type (1)	5 X E27	35. PIR	NO
14. Lamp Holder Type (2)	N/A	36. Switch Type and location	N/A
15. No. of Lamps	5	37. Connection Method	Terminal Block
16. Lamp Supplied	No	38. Plug Type	N/A
17. Dimmable?	Dependent On Lamp	39. Plug Colour	N/A
18. Lumen Output & Colour Temp	N/A	40. Product Weight (kg)	11
19. Overall Width/Diameter (mm)	762	41. Carton Dimensions (mm)	800 x 800 x 320
20. Overall Height (mm)	770 (As Shown)	42. Carton Weight (kg)	14.6
21. Overall Depth (mm)	762	43. Notes 1	
22. Minimum Drop	465	44. Notes 2	