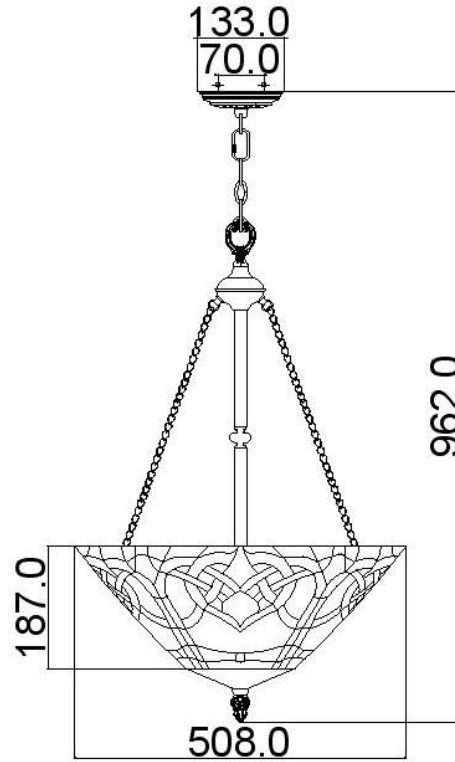


**BRAND: Cambridge**
**STYLE: 3Lt Pendant**


1. Item Code	QZ/CAMBRIDGE/P	23. Maximum Drop	2167
2. Drawing No.	Cambridge P TFCB1820VB	24. Adjustable?	Yes – Height Adjustable
3. Tested?	No	25. Shade/Glass Material	Tiffany Glass shade
4. Final Sign-off Sample Done?	No	26. Shade Width (mm)	508
5. Category	Indoors	27. Shade Height (mm)	187
6. Type	Pendant	28. Shade Depth (mm)	508
7. Finish	Imperial Bronze Finish	29. Size of Back-Plate/Ceiling Rose (mm)	133 x 133
8. IP Rating	N/a	30. Main Material	Steel
9. Class	I	31. Power Cable Colour	Black
10. Voltage	240V	32. Power Cable Length (mm)	2184
11. Wattage (1)	3 X Max 100W	33. Chain Length (mm)	1219
12. Wattage (2)	N/A	34. Rod Length (mm)	N/a
13. Lamp Holder Type (1)	3 X E27	35. PIR	No
14. Lamp Holder Type (2)	N/A	36. Switch Type and location	N/a
15. No. of Lamps	3	37. Connection Method	Terminal Block
16. Lamp Supplied	NO	38. Plug Type	N/a
17. Dimmable?	Dependent on Lamp	39. Plug Colour	N/a
18. Lumen Output & Colour Temp	N/A	40. Product Weight (kg)	4.05
19. Overall Width/Diameter (mm)	508	41. Carton Dimensions (mm)	591 x 318 x 610
20. Overall Height (mm)	962 (As Shown)	42. Carton Weight (kg)	5.09
21. Overall Depth (mm)	508	43. Notes 1	
22. Minimum Drop	883	44. Notes 2	