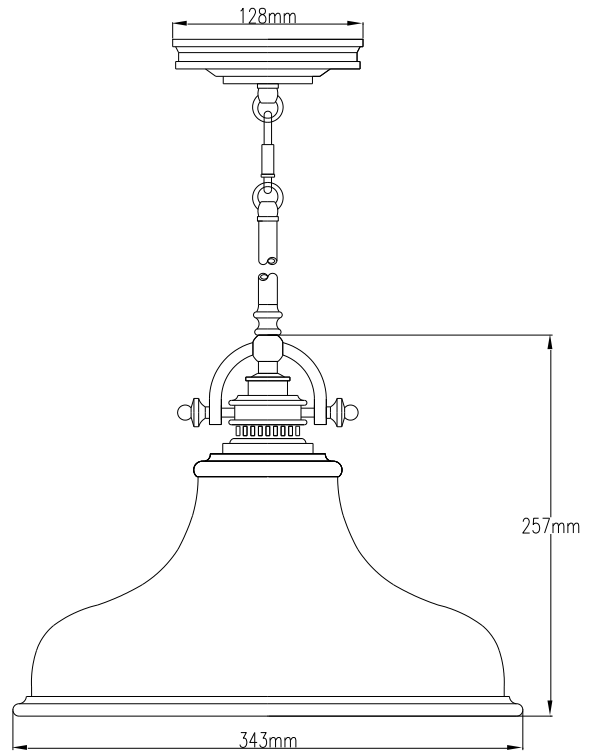


RANGE: QUOIZEL
STYLE: EMERY PENDANT


| | | | |
|---------------------------------|-----------------|--|------------------------|
| 1. Item Code | QZ/EMERY/P/M WS | 23. Minimum Drop | 415 |
| 2. Drawing No. | Q-ER1814 REV-B | 24. Maximum Drop | 1037 |
| 3. EAN/Barcode | - | 25. Adjustable? | Yes |
| 4. Tested? | No | 26. Shade/Glass Material | Frosted Glass |
| 5. Final Sign-off Sample Done? | No | 27. Shade Width (mm) | n/a |
| 6. Category | Indoor | 28. Shade Height (mm) | n/a |
| 7. Type | Pendant | 29. Shade Depth (mm) | n/a |
| 8. Finish | Weathered Brass | 30. Size of Back-Plate/Ceiling Rose (mm) | 128 |
| 9. IP Rating | n/a | 31. Main Material | Steel |
| 10. Class | I | 32. Power Cable Colour | Brown |
| 11. Voltage | 240 | 33. Power Cable Length (mm) | Adequate To Rod Length |
| 12. Wattage (1) | 100 | 34. Chain Length (mm) | n/a |
| 13. Wattage (2) | n/a | 35. Rod Length (mm) | 914 |
| 14. Lamp Holder Type (1) | E27 | 36. PIR | No |
| 15. Lamp Holder Type (2) | n/a | 37. Switch Type and location | n/a |
| 16. No. of Lamps | 1 | 38. Connection Method | Terminal Block |
| 17. Lamp Supplied | None | 39. Plug Type | n/a |
| 18. Dimmable? | Depends On Lamp | 40. Plug Colour | n/a |
| 19. Lumen Output | Depends On Lamp | 41. Product Weight (kg) | 2.4 |
| 20. Overall Width/Diameter (mm) | 343 | 42. Carton Dimensions (mm) | - |
| 21. Overall Height (mm) | 292 | 43. Carton Weight (kg) | - |
| 22. Overall Depth (mm) | 343 | 44. Notes | - |