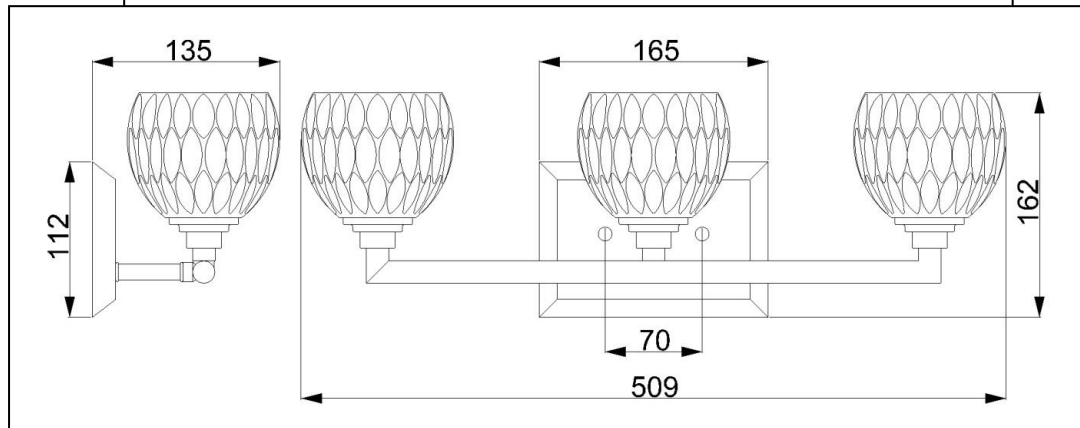


BRAND: Serena
STYLE: 3 arm bathroom wall light


1. Item Code	QZ/SERENA3 BATH	23. Maximum Drop	N/A
2. Drawing No.	QZ PCSA8603 Serena 3	24. Adjustable?	No
3. Tested?	No	25. Shade/Glass Material	Clear glass
4. Final Sign-off Sample Done?	No	26. Shade Width (mm)	110
5. Category	Indoors	27. Shade Height (mm)	90
6. Type	Wall	28. Shade Depth (mm)	110
7. Finish	Polished Chrome	29. Size of Back-Plate/Ceiling Rose (mm)	165 x 112
8. IP Rating	IP44	30. Main Material	Mild steel + Glass
9. Class	I	31. Power Cable Colour	Blue / brown
10. Voltage	240v	32. Power Cable Length (mm)	Supplied with 200mm tail
11. Wattage (1)	3 x 3.5w LED	33. Chain Length (mm)	N/A
12. Wattage (2)	N/A	34. Rod Length (mm)	N/A
13. Lamp Holder Type (1)	G9	35. PIR	No
14. Lamp Holder Type (2)	N/A	36. Switch Type and location	N/A
15. No. of Lamps	3	37. Connection Method	IP44 terminal block
16. Lamps Supplied	Yes	38. Plug Type	N/A
17. Dimmable?	Not with lamps supplied	39. Plug Colour	N/A
18. Lumen Output & Colour Temp	(Lamp) 3 x 320lm and 3000k	40. Product Weight (kg)	2.25
19. Overall Width/Diameter (mm)	509	41. Carton Dimensions (mm)	502mm x 181mm x 270mm
20. Overall Height (mm)	162	42. Carton Weight (kg)	2.95
21. Overall Depth (mm)	135	43. Notes 1	Supplied with 3 x G9 LED lamp
22. Minimum Drop	N/A	44. Notes 2	Can be mounted up or down