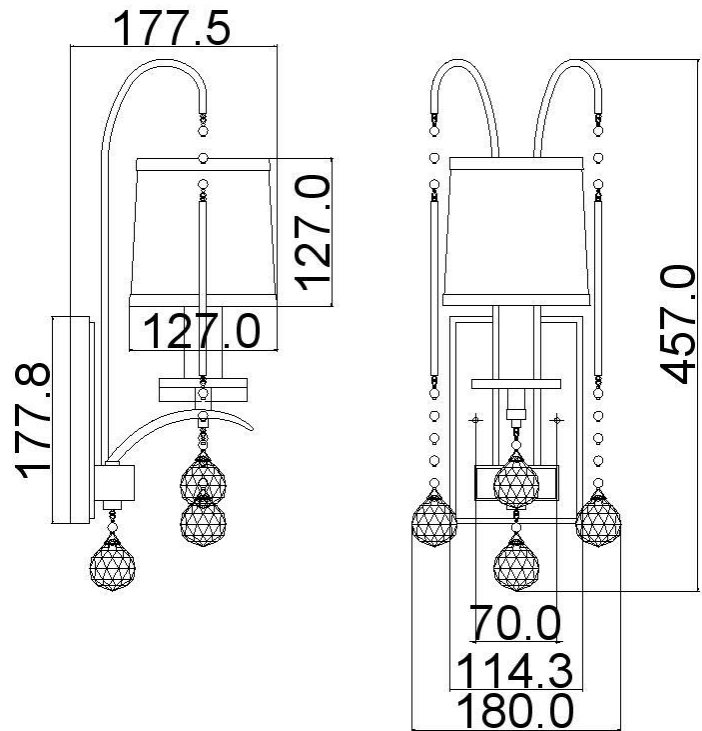


BRAND: WHITNEY
STYLE: ILT WALL LIGHT


1. Item Code	QZ/WHITNEY1	23. Maximum Drop	N/A
2. Drawing No.	QZWHI8701IS REV-A - Whitney	24. Adjustable?	NO
3. Tested?	No	25. Shade/Glass Material	WHITE ORGANZA SHADE
4. Final Sign-off Sample Done?	No	26. Shade Width (mm)	127
5. Category	INDOORS	27. Shade Height (mm)	127
6. Type	SEMI FLUSH	28. Shade Depth (mm)	127
7. Finish	IMPERIAL SILVER	29. Size of Back-Plate/Ceiling Rose (mm)	114.3 X 177.8
8. IP Rating	N/A	30. Main Material	STEEL
9. Class	I	31. Power Cable Colour	N/A
10. Voltage	240V	32. Power Cable Length (mm)	200
11. Wattage (1)	1 X 40W	33. Chain Length (mm)	N/A
12. Wattage (2)	N/A	34. Rod Length (mm)	N/A
13. Lamp Holder Type (1)	1 X E14	35. PIR	NO
14. Lamp Holder Type (2)	N/A	36. Switch Type and location	N/A
15. No. of Lamps	1	37. Connection Method	TERMINAL BLOCK
16. Lamp Supplied	NO	38. Plug Type	N/A
17. Dimmable?	DEPENDENT ON LAMP	39. Plug Colour	N/A
18. Lumen Output & Colour Temp	N/A	40. Product Weight (kg)	1.1
19. Overall Width/Diameter (mm)	180	41. Carton Dimensions (mm)	240 x 240 x 465
20. Overall Height (mm)	457	42. Carton Weight (kg)	2
21. Overall Depth (mm)	177.5	43. Notes 1	
22. Minimum Drop	N/A	44. Notes 2	