

## 1805 (4 LED 10Vdc) & 1806 (9 LED 24Vdc) WALKOVER / DRIVEOVER LIGHT

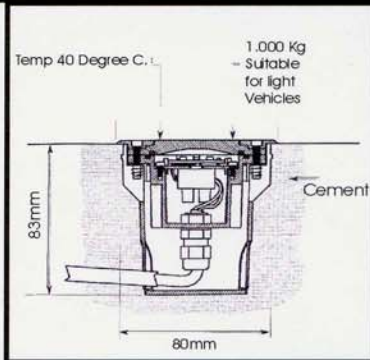
### INSTALLATION INSTRUCTIONS

We recommend that this fitting is installed by a qualified electrician in accordance with the current IEE wiring regulations. (If you are in any doubt please consult a qualified electrician).

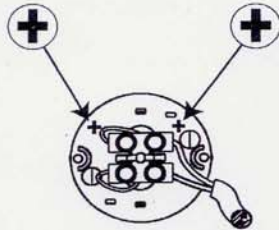
We recommend that you read these instructions fully before commencing any work.

Please ensure that the electrical supply is switched off at the mains before installing or maintaining this luminaire.

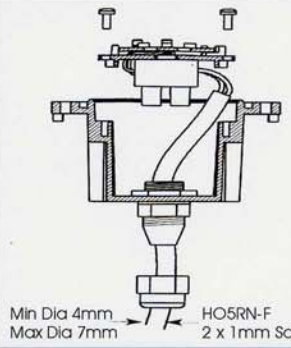
NOTE: This product is not recommended for use near salt climate conditions.



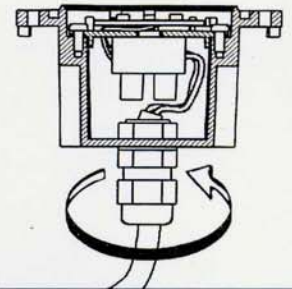
Dimensions  
Hole cutout size = 80mm Ø  
Depth = 83mm



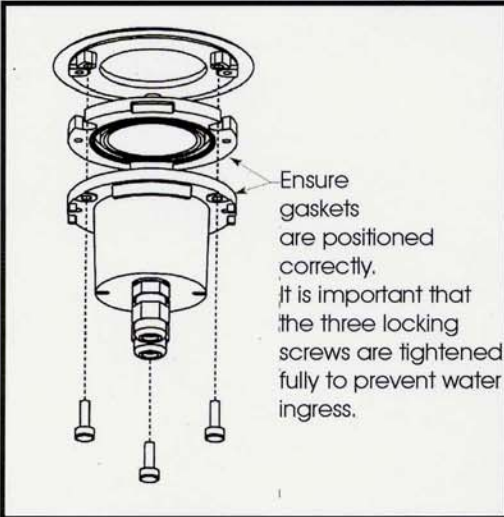
Observe Polarity when connecting supply wiring. Ensure All connections are tight.



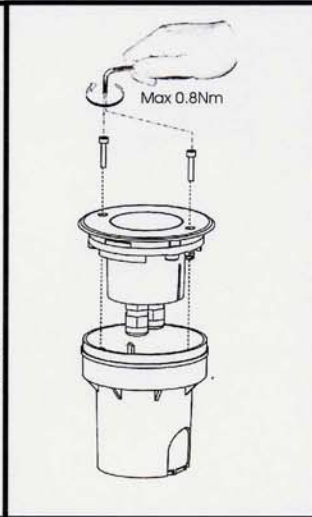
2 x 1mm Sq, HO5RN-F  
Min Dia 4mm  
Max Dia 7mm



Ensure Cable Gland is tightened fully to prevent water ingress.



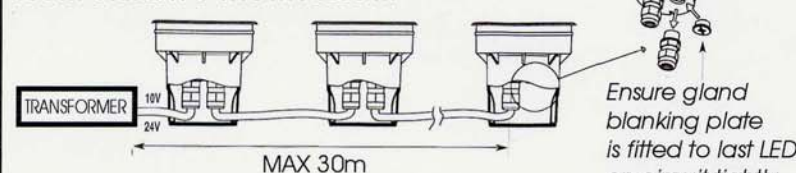
Ensure 3 x Locking screws are tightened fully to prevent water ingress.



Tighten bezel screws into plastic can. Take care not to over tighten (Max 0.8Nm)

Suitable for light vehicles 1,000 Kg.  
Suitable for indoor & outdoor use.  
For outdoor use in grass, paths or driveways, please ensure can is mounted in cement.  
Ensure correct cable is used (HO5RN-F 2x1mm Sq).  
Please observe polarity of connections.  
Ensure ALL glands & screws are tightened fully to prevent water ingress (IP6.8)  
We recommend use of Firstlight 1807 & 1808 DC Transformers (see Chart below for correct Transformer to be used with 4 LED & 9 LED).  
Ensure Transformers used are in an area protected from water & humidity.  
Please ensure cables runs are positioned to avoid any damage and do not exceed 30 mtrs in length.

THE SECONDARY WIRING MUST LOOP IN & OUT OF EACH FITTING FROM THE TRANSFORMER AS SHOWN BELOW.



Max 24 x 1805 (4 LED) to be used with Transformer 1807 (10DC)  
Max 16 x 1806 (9 LED) to be used with Transformer 1808 (24DC)

IP6.8 (Max immersion depth 3 mtrs).  
Class III  
Rough service luminaires.  
F rated.



4 LED = 10Vdc ONLY  
9 LED = 24Vdc ONLY

Please retain instructions for future reference.