

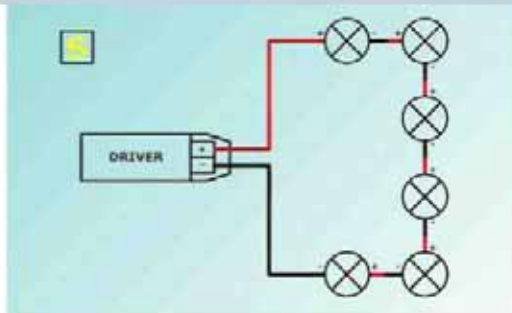
SERIES WIRING DIAGRAM

GENERAL INFORMATION

The GL1W 350 Driver must be wired in series as shown in the diagram above. If the LEDs are not wired correctly it will result in irreparable damage to the LEDs and LED Drivers

WIRING INFORMATION

The reason that these LED's must be wired in series is simple. When you wire in series you achieve a constant current for all components in that circuit. All the GL11P Fittings require a constant current to function correctly. When the LEDs are wired in series they only require a small voltage normally between 2-4 volts. No series LED has the same voltage they vary from LED to LED.



PARALLEL WIRING DIAGRAM

GENERAL INFORMATION

The FL1808 transformer must be wired in parallel as shown in the diagram. If these fittings are not wired correctly it will result in irreparable damage to the LEDs and LED Drivers.

