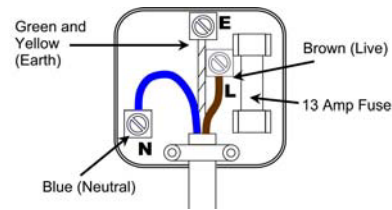




Plug Replacement

If the plug and / or power cord is damaged and requires replacement, follow the wiring instructions supplied with the new plug.

- The green/yellow wire must be connected to the terminal marked with E or \oplus or coloured green
- The blue wire must be connected to the terminal marked with the letter N or coloured blue
- The brown wire must be connected to the terminal marked with the letter L or coloured brown
- A 13A plug to BS 1363 must be fitted with a 13A fuse to BS 1362



CLEANING THE HEATER

- Always unplug the heater from the power supply socket and allow it to cool down before cleaning.
- Clean the outside of the heater by wiping with a damp cloth and buff with a dry cloth. Do not use any detergents or abrasive cleaning agents and do not allow any water to enter the heater.

HEATER STORAGE

- When the heater is not used for long periods of time it should be protected from dust and stored in a clean dry place

HEATER GUARANTEE

GET guarantees that this heater will be free from defects in workmanship and materials for a period of 1 year from the date of purchase. Any heater found to have defects in workmanship or material within the period of this guarantee will be replaced free of charge.

The conditions of this guarantee are as follows:

- The heater has been properly maintained.
- Defects or damage due to normal wear and tear, accident, misuse, or interference are not included.
- The heater is made available for inspection, together with proof of purchase.

This guarantee does not affect your statutory rights.



GET Plc
Key Point, 3 – 17, High Street. Potters Bar, Herts EN6 5AJ
Helpline 0121 565 7770

AR0771 Ed.A

INSTRUCTIONS FOR GET 2000W FREESTANDING MICATHERMIC COLUMN HEATER

Models covered by this instruction sheet: - **G2MHF2**

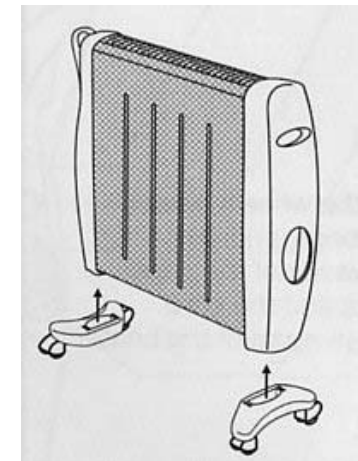
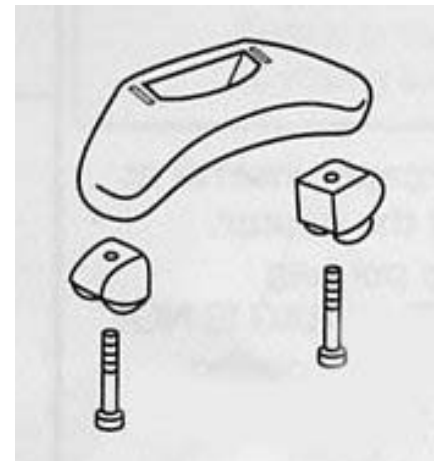
IMPORTANT Please read these instructions fully before using the heater. Retain these instructions for future reference.

NOTE: - THIS HEATER IS INTENDED FOR DOMESTIC USE ONLY

WARNING - This heater must be earthed

ASSEMBLY OF THE HEATER

Fit both pairs of castors to the two castor mountings using supplied screws and tighten with a suitable screwdriver. Correctly position and clip on each assembled castor mounting to the heater base ends.



Check the stability of the heater by standing it on a flat level surface

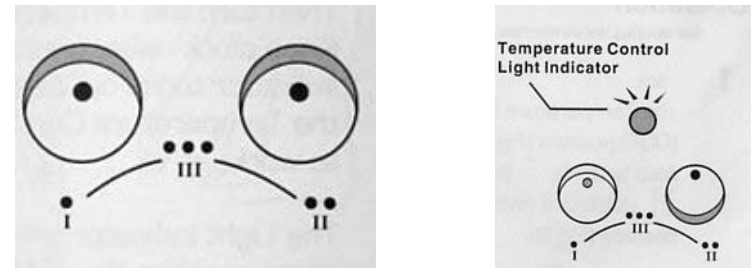
SAFETY INSTRUCTIONS (to be read before operating the heater)

- Do not use the heater without castor mountings correctly being attached.
- Ensure the power supply socket intended for heater connected is in accordance with the marked heater power supply requirements.
- Ensure the power supply socket has a reliable Earth connection. If socket does not have an Earth connection, DO NOT use with this heater.
- Keep mains lead away from the hot body of the heater and ensure that it is not pulled tight between the socket and the heater.
- The heater is not intended for use in bathrooms, laundry areas or similar indoor locations. Never place the heater where it may fall into a bath or other water filled containers.
- Do not use heater outdoors.
- Do not cover the heater as this may lead to a fire risk.
- Do not obstruct any of the openings of the heater.
- Always ensure that the heater is placed on a firm level surface. Ensure that the heater is not positioned close to curtains, furniture or any combustible materials as this could create a fire hazard.
- Do not position the heater in front of, or immediately below a wall socket.
- Do not insert any object through any of the openings of the heater as this may cause an electrical shock or over heating.
- Do not use the heater in areas where flammable liquids are stored or where flammable fumes may be present.
- The surfaces of the heater will get hot and particular care should be taken when situated in areas occupied by children, old persons, invalids or pets.
- Always unplug the heater and allow to cool down before moving it from one area to another.
- Do not attempt to dismantle any part of the heater, as it contains no user serviceable parts. This should only be done by a recognised service agent.
- Do not use the heater if the power cord is damaged. If damaged it must be replaced immediately by a recognised service agent or other qualified person. If the plug is damaged, see Plug Replacement details.
- Always unplug the heater when it is not in use.
- Do not operate or leave the heater on when it is unattended.
- Do not use with a time switch or other device that could switch the heater on automatically.

OPERATION OF THE HEATER

Note: When the heater is turned on for the first time or after having not been used for a long period, it may emit a smell. This will disappear after the heater has been on a short while.

- Choose a suitable location for the heater, taking account of the previous safety instruction.
- Plug the heater in a suitable power socket.
- Turn the thermostat control fully clockwise to the maximum setting.
- The heater has 3 heat settings which can be selected using the 2 power control switches, either individually or both together.



- I · - Low heat setting (800W)
- II · · - Medium heat setting (1200W)
- III · · · - High heat setting (2000W) – both switches selected

When heating, the selected power control switch internal neons will illuminate

- When the desired room temperature has been reached, the thermostat control should be turned slowly anti-clockwise until the thermostat is heard to click. At this setting the power switch neon(s) are seen to go out and the Temperature Control light indicator will illuminate. The heater will keep the air temperature in the room at this set temperature by switching on and off automatically.
- With the thermostat control set to the * position, the thermostat provides a 'frost guard' setting. In this position (depending on the size of the room) the heater will maintain the temperature above freezing.

Safety cut-out

The heater includes two self-resetting thermal cut-outs mounted in the top of the heater. These will automatically operate and turn off the heater in the event of the heater overheating. These thermal cut-outs will automatically reset and switch the heater on when the heater has cooled down.