

BOOST TIMER SPUR SWITCH

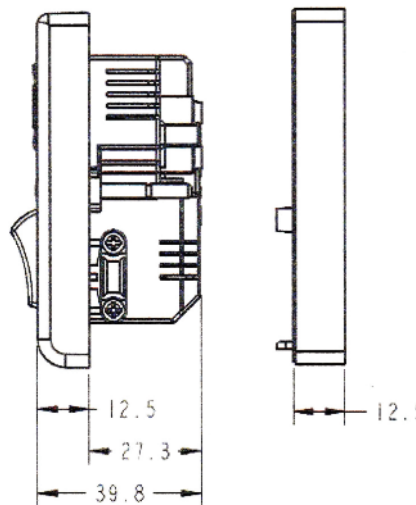
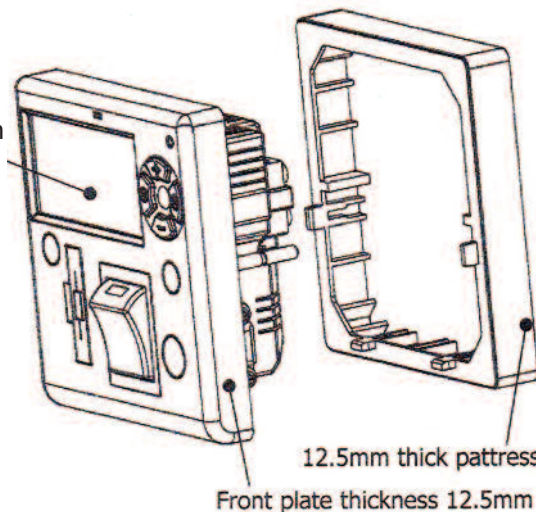
Ideal for adding a "boost" usage time to immersion heaters, towel rails, panel heaters, fan heaters & lighting systems (including LED Lighting) at the end of the countdown the power is switched off helping to save electricity

- Energy saving product
- 'Boost' function from 15 minutes to 23 hours
- Can be password protected to retain settings
- Surface/flush mounting
- Front cable entry
- Will fit 25 - 47mm back boxes



T206-C

Countdown
Timer



	T206-C
Product Finish	White
Product Dimensions	86.5 x 86.5 x 40mm (46.5mm including switch on front)
Product weight	180 gms
Barcode	5012739641428
Voltage	230V - 50Hz
Rated Impulse Voltage	2,500V
Pollution Degree	2
Display	LCD
Operating Temp	-5°C to +40°C
Max Load	Resistive 13A inductive 6A
Isolation	Double Pole Isolation Switch
Settings	Countdown options from 15 mins to 23 hours
Max Wattage	3000W
Operating Temp	-5°C to +40°C
Main housing material	Polycarbonate
Fixings	2 x 35mm, 3.5mm/2 x 25mm, 3.5mm Fixing screws
Guarantee	1 Year
Certification & Conformity	BS 1363-4:1995+A4:2012, BS EN 60730-1:2011, BS EN 60730-2-7:2010, BS 4662:2006+A1:2009