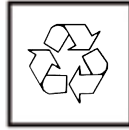
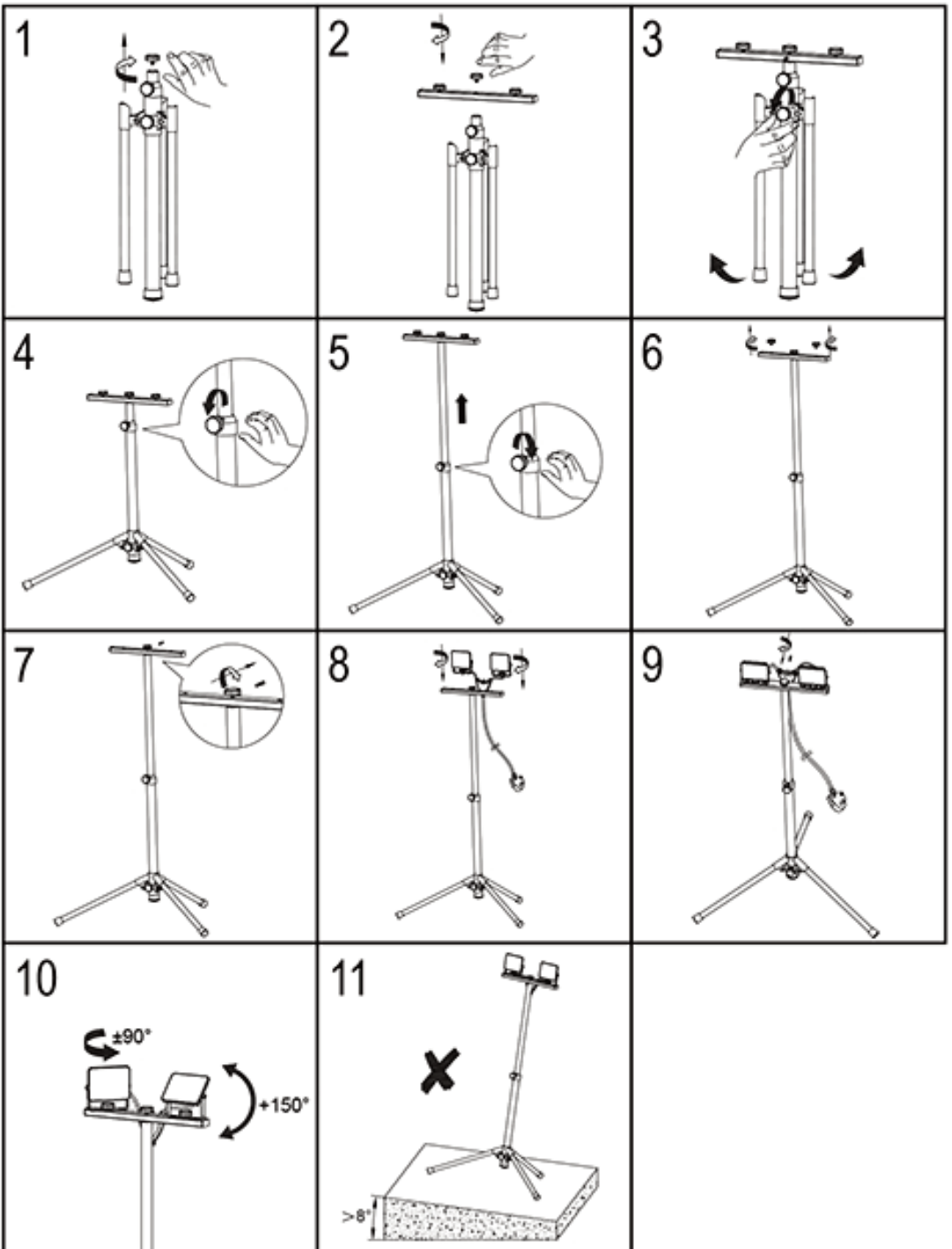


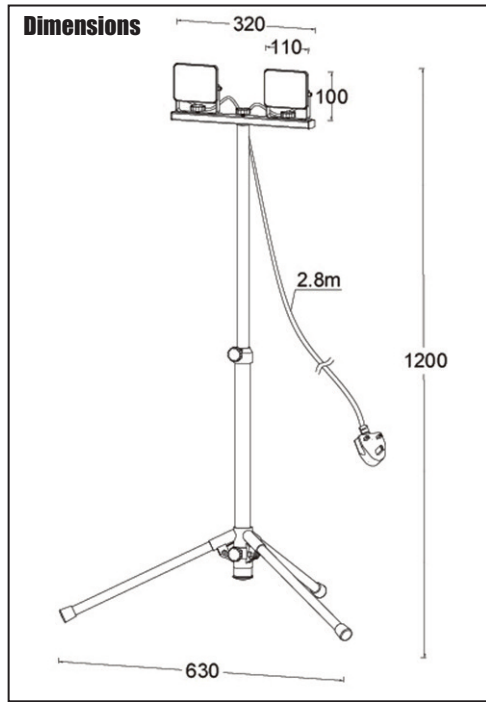
IMPORTANT

This product should be installed by a competent person and in accordance with the current IET Wiring Regulations.
If in doubt, consult a qualified electrician.



INSTALLATION & OPERATION





TECHNICAL INFORMATION

Rated voltage:	230 - 240V AC ~ 50/60Hz
Wattage:	2 x10W
Lumens:	1600
IP Rating:	IP65
Colour Temperature:	5,000K
Class Type:	I
No of LED's:	30
CRI:	80
Housing:	Heavy Duty Aluminium body & Tempered glass diffuser
Conforms To:	BS EN 60598

GUARANTEE
 Your GreenBrook Tripod Fitting
 is guaranteed for 5 years from
 the date of purchase.
 This is in addition to your statutory rights.

Please keep these instructions for future reference.

INSTALLER - Please pass instruction manual onto the owner of the unit.

**GREEN
BROOK**
 ELECTRICAL
 WEST ROAD . HARLOW
 ESSEX . CM20 2BG . UK
 info@greenbrook.co.uk
 www.greenbrook.co.uk