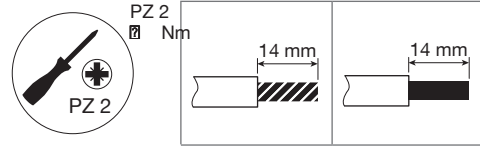




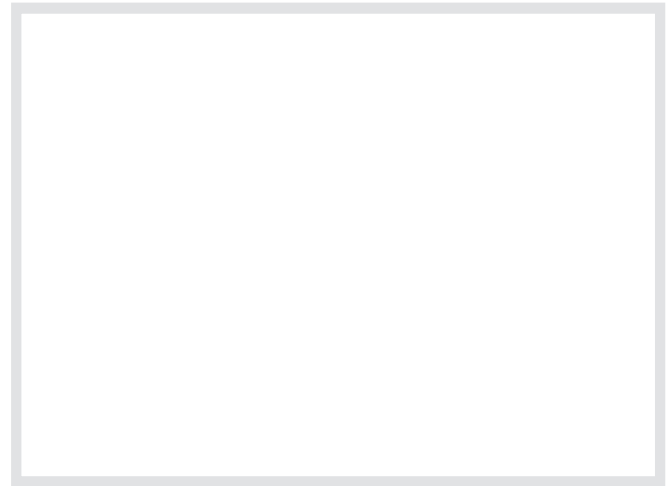
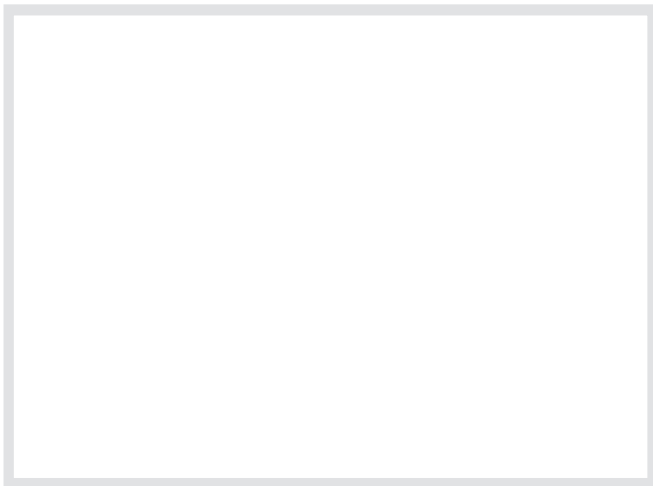
VMR440EV
VMR640EVSPD
 User instructions

TT/ TN-S/ TNC-S



ZD0***

100A Switch 40A with Type 2 Surge Protection



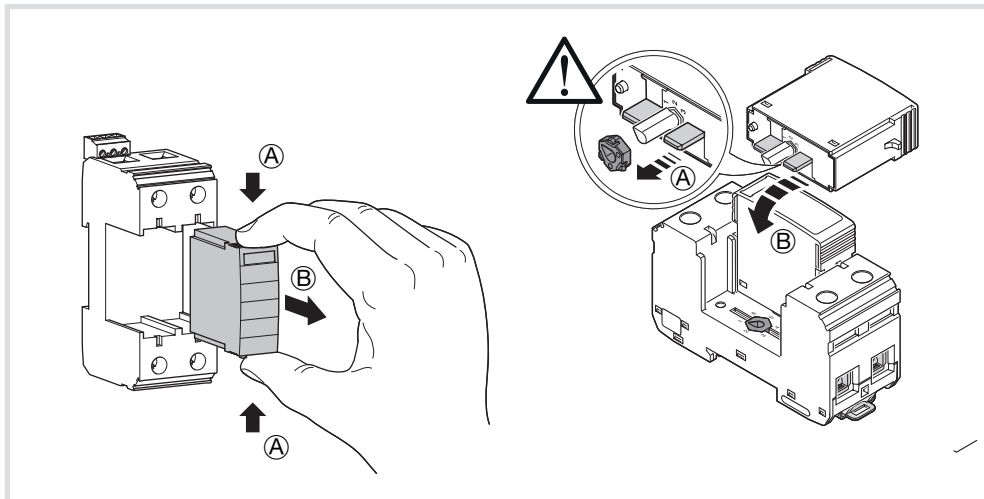
On the enclosure for the load and supply cables
 Insert the mains supply into the top of the enclosure and terminate into the top of the 100A main switch and torque to 3.6Nm.

The outgoing supply cable for the car charger or similar will be terminated into the top of the RCBO and torque to 3.6Nm

Key Specifications

- 3RZHU6XSSOBYW7177
- 5HTXLUHPHMODVV63EODVV,,DFFW(<63SDHFFW(1
- 0DRLVFKDUJHFXUUHWFDFURVHFRCVNV
- 13(μF
- 1RPLDOYRODUH8E
- 1RPLDOGLVFKDUJHFXUUHWFDFURVHFRCVNV
- 0DGLVFKDUJHFXUUHWFDFURVHFRCVNV

SPB015, SPB015N



ZD0865

Fault indication

