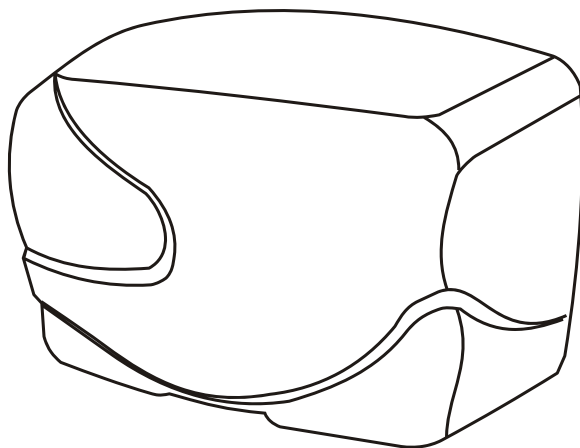


# Hand Dryers

## Touch-Free

HK / HD-2200LA

HK / HD-2200RA



# Hand Dryer Operating Instructions and Parts Manual (Automatic)

## Description

Automatic operation hand dryer.

HK-2200LA : Casing- Painted cast aluminum.

HK-2200RA : Casing- Chromed cast aluminum.

Brushless motor : 100W, 2850 R.P.M. (50Hz), 3250 R.P.M. (60Hz)  
Designed with 105°C (221°F) thermostat.

Heater assembly : 2100W

Designed with 87°C (200°F) thermostat and  
141°C (323°F) thermal cut off.

Dryer shall deliver 291 m<sup>3</sup>/h (171 CFM).-- 60Hz

255 m<sup>3</sup>/h (150 CFM).--50Hz.

Air speed : 16.5 m/s.--60Hz 14.5 m/s.--50Hz

Sound level : 63±3 db.

Approximately 30-35 seconds drying time.

Adjustable sensitive distance of sensor from 10 to 30 cm (3.9" to 11.8").

Power cut off automatically in case of irregular use over 120 seconds.

Drip proof : IPX1

Weight: 6.1kgs (13.4 lbs) unpacked ; 6.4kgs (14 lbs) packed.



HK-2200LA



HK-2200RA

Certification:



5G68

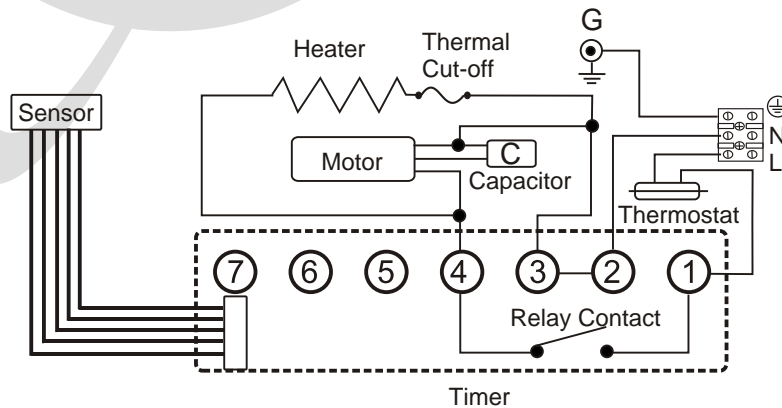


206197

## Specifications and Dimensions

Model	Volts	Watts	Amps	Housing Dimensions mm(in)		
				L	W	H
HK-2200LA/ HK-2200RA	230-240Vac	2020-2200W	8.8-9.2A	320 (12.6)	220 (8.7)	175 (6.9)

## Wiring Diagrams



## General safety information

**▲ WARNING** Disconnect power before installation or servicing.

**▲ WARNING** This product intended for installation by a qualified service person. Use 1.2 mm<sup>2</sup> solid conductor for wiring.

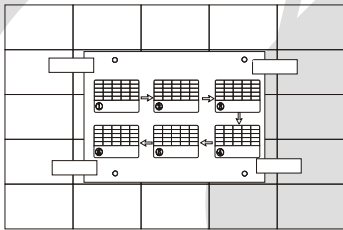
**▲ WARNING** All units must be supplied with a 3-wire service. The ground wire must be connected to the dryer's backplate.

**▲ DANGER** Failure to properly ground unit could result in severe electrical shock and/or death.

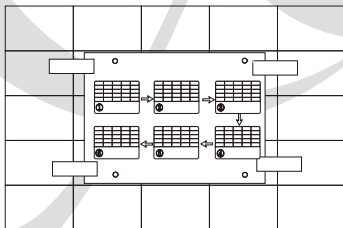
**NOTE:** Do not install dryer over washbasin.

## Installation

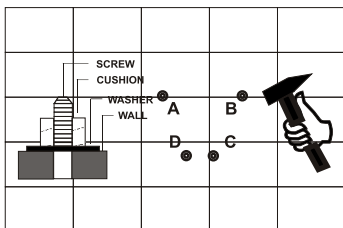
1. Fix the mounting instruction sheet on the wall.  
Suitable height for hole "C" is 130 cm (50") from ground.



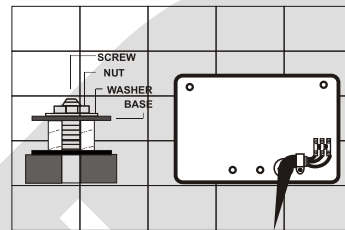
2. Drill 4 holes  
(A. B. C. D. 8 mm (5/16") diameter: 35 mm (1 3/8") depth.)



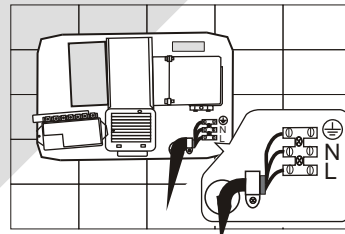
3. Take off the mounting instruction sheet.  
Hammer dowels into 4 holes.



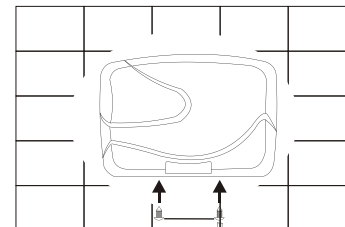
4. Remove the housing from the base plate; put the power cord at least 7 cm (2 1/4") through the hole of the base plate then secure the base plate onto the wall.



5. Connections:
  - A. Connect the live wire (colored red or brown) to the terminal block marked "L".
  - B. Connect the neutral wire (colored black or blue) to the terminal block marked "N".
  - C. Connect the ground wire (colored green and yellow) to the terminal block marked "⊕".



6. Attach housing back to base plate at an angle of 10 degrees then secure properly.



## Operating Instructions and Parts Manual

---

### Operation

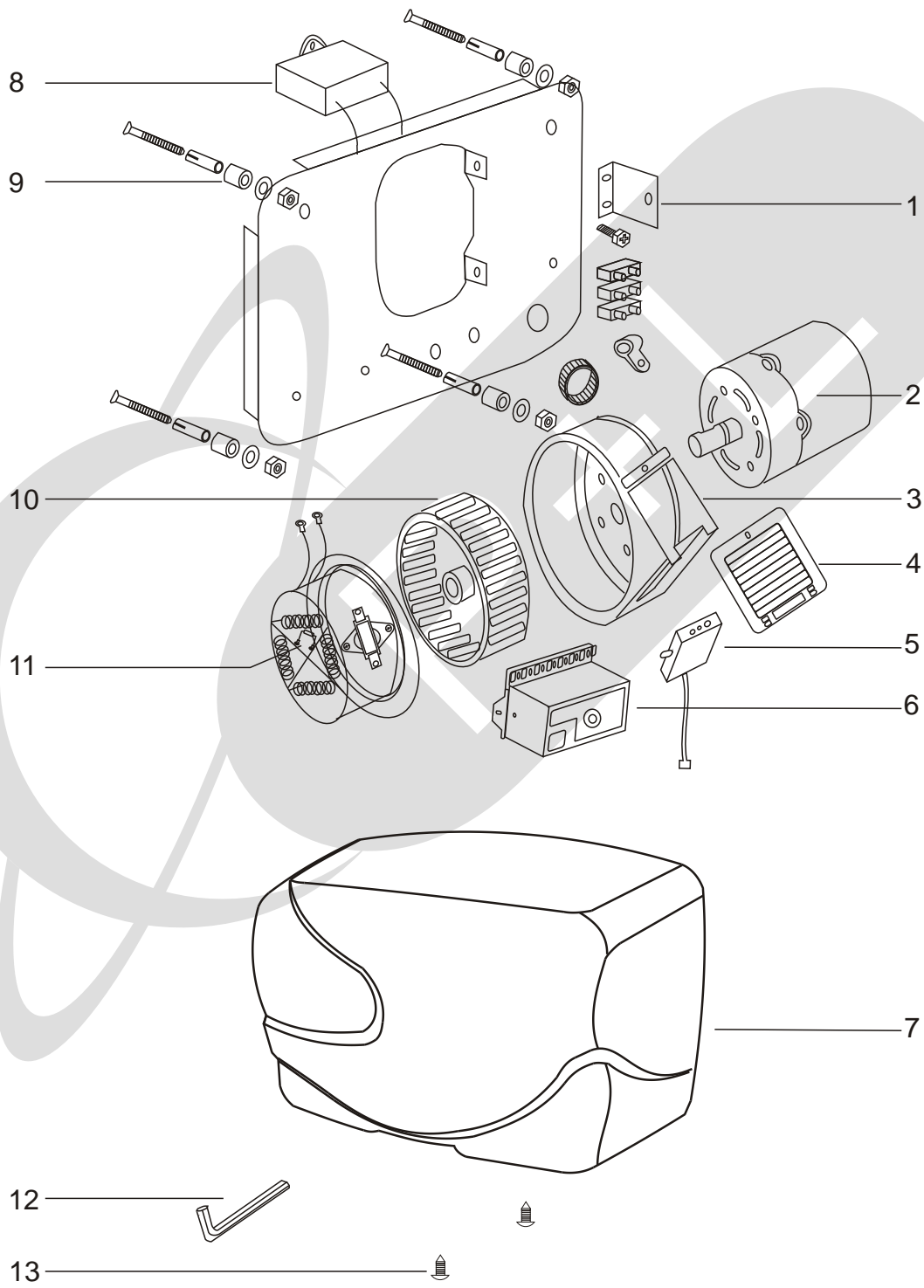
Shake excess water from hands.  
Place hands under the outlet to start operation.  
Rub hands lightly and rapidly.  
Stops automatically when hands are removed.

### Maintenance

Easy to maintain. If the surface is dirty or dusty just wipe to clean.

### Troubleshooting Chart

Symptom	Corrective Action
Blower motor stops running	Turn off power to the dryer at electrical panel. Remove cover. Check all wiring connections from terminal board to the motor. Check blower wheel and spin to make sure it rotates freely: Look for objects blocking the free movement. Replace cover and turn on power to the hand dryer. If motor fails to start, have a qualified electrician check the Push-On-Switch, thermostat, motor and capacitor for proper operation. Replace if necessary.
Dryer blows cold air	Turn off power to the dryer at the electrical panel. Remove cover. Check all wiring connections to make sure all terminals are firmly mounted in place and the wire insulation is in good condition. Have a qualified electrician check the thermal cut off and heating element. Replace cover, turn on power to the hand dryer. If dryer continues to blow cold air, replace defective thermal cut off and/or heating element.
Dryer does not respond to hand movement	Make sure power is on and available to the unit. Place hands under sensor. A clicking sound indicates sensor is functioning properly. No clicking sound would indicate a bad sensor and/or contactor. Replace if necessary.
Dryer will not shut off or will not run for a complete cycle	Replace timer assembly



## Operating Instructions and Parts Manual

---

### Repair parts list

### Part number for

Reference Number	Description	Part number for		Qty.
		HK-2200LA	HK-2200RA	
1	Motor mounting bracket	C01-005	C01-005	1
2	Motor	E02-001	E02-001	1
3	Fan enclosure	C02-001	C02-001	1
4	Air outlet guard	C01-003	C01-003	1
5	Sensor assembly	F02-003-1	F02-003-1	1
6	Timer assembly	TIA02	TIA02	1
7	Enclosure	B02-001	B02-001-2	1
8	Motor capacitor	F02-001	F02-001	1
9	Dowel assembly	D03-003	D03-003	4
10	Fan blower	C01-001	C01-001	1
11	Heater assembly	HE02	HE02	1
12	L key	C01-002	C01-002	1
13	Fix screw	D01-001	D01-001	2