

## L. SERVICE & WARRANTY

Do not operate the unit with a damaged cord or plug, after the unit malfunctions, or has been dropped or damaged. Return the product to an authorised service facility for examination and repair to avoid a hazard.

For your convenience record the complete model number and product name (located on the Product Identification Plate), the date you purchased the product and your purchase receipt as proof of purchase.

To ensure your product is covered by warranty, the complete faulty product together with your purchase receipt should be returned to your retailer.

### ONE (1) YEAR LIMITED WARRANTY Save This Warranty Information

EHS (International) Ltd. Guarantees this product free from defects in materials and workmanship for a period of one (1) year.

Should this unit be operated under conditions other than those recommended, at voltages other than the voltage indicated on the unit, or any attempts made to service or modify the unit, will render this **WARRANTY VOID**. The product you buy may sometimes differ slightly from illustration. This warranty is in addition to, and does not affect, your statutory rights

Should you have a problem with this product, please call our Help Desk on: (0870) 742 5021.

This product has been manufactured to comply with EEC Directives 2006/95/EG and 89/336/EEC.

Waste electrical products should not be disposed of with household waste. Please recycle where facilities exist. Check with your Local Authority or retailer for recycling advice.



EHS, Manchester, M17 1RN

EHS 08/07



## CONVECTOR HEATER

### MODEL N10Turbo



Please read this instruction manual before operating and keep safe for future reference

## A. IMPORTANT SAFETY INSTRUCTIONS

**PLEASE READ ALL INSTRUCTIONS CAREFULLY BEFORE USING THIS PRODUCT.**

Use this heater only as described in this manual. Any other use not recommended by the manufacturer may cause a fire or electrical shock.

When using electrical appliances, basic safety precautions should always be followed:

1. Before operating the heater remove the unit from its packaging and check it is in good condition.
2. This heater is hot when in use. To avoid burns, do not let bare skin touch hot surfaces. Always use handles when moving this heater. Keep flammable material, such as furniture, pillows, bedding, papers, clothes and curtains at least 3 foot (0.9 m) from the front of the heater and at least 1 feet (0.3 m) away from the sides and rear.
3. The surfaces of this heater are hot whilst in operation. Always allow a cool down period before moving it to another location. Keep all flammable materials well away from the heater.
4. In order to avoid overheating, **DO NOT COVER** the heater.
5. Extreme caution is necessary when any heater is used by or near children or pets and whenever the heater is left operating and unattended.
6. Always unplug heater when not in use.
7. Do not operate any heater with a damaged cord or plug, after the heater malfunctions, has been dropped or damaged in any manner. Return the heater to an authorised service facility for examination and repair.
8. Do not use outdoors. This heater is not intended for use in wet or damp locations. Never locate heater where it may fall into a bathtub or other water container.
9. Do not run cord under carpeting. Do not cover cord with rugs or runners. Arrange cord away from an area where it may be tripped over. Do not use this heater with a programmer, timer or any other device that switches the heater on automatically, since a fire risk exists if the heater is covered or positioned incorrectly.
10. To disconnect heater, turn switches to the off position and remove plug from the power socket. Pull only by the plug. Never pull on the cord.
11. Do not place the heater on soft surfaces. Always place on a flat level surface.
12. Do not use this heater in the immediate surroundings of a bath, a shower or a swimming pool.
13. Do not insert or allow objects to enter any ventilation or exhaust opening as this may cause an electric shock or fire, or damage the heater.
14. A heater has hot and arcing or sparking parts inside. It must not be used in potentially dangerous locations such as flammable, explosive, chemical-laden or wet atmosphere
15. Do not let children play with the packaging, for example plastic bags.

16. Check the household voltage to ensure it matches the appliance's rating plate specification.
17. Avoid the use of an extension cord as it could overheat and cause a fire.

## READ & SAVE THESE IMPORTANT INSTRUCTIONS

### B. BS PLUG WIRING

**Wiring Instructions: Should it be necessary to change the plug please note the wires in the mains lead are coloured in accordance with the following code:**

**BLUE - NEUTRAL**  
**BROWN - LIVE**  
**GREEN AND YELLOW - EARTH**

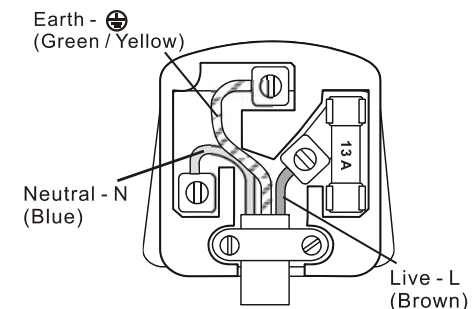
As the colours of the wires in the mains lead of this appliance may not correspond with the coloured markings identifying the terminals in your plug, proceed as follows:

1. The **BLUE** wire is the **NEUTRAL** and must be connected to the terminal which is marked with the letter **N** or coloured **BLACK**.
2. The **BROWN** wire is the **LIVE** and must be connected to the terminal which is marked with the letter **L** or coloured **RED**.
3. The **GREEN/YELLOW** is the **EARTH** and must be connected to the terminal which is marked with the letter **E** or  $\oplus$  or coloured **GREEN OR GREEN/YELLOW**.
4. Always ensure that the cord grip is positioned and fastened correctly.

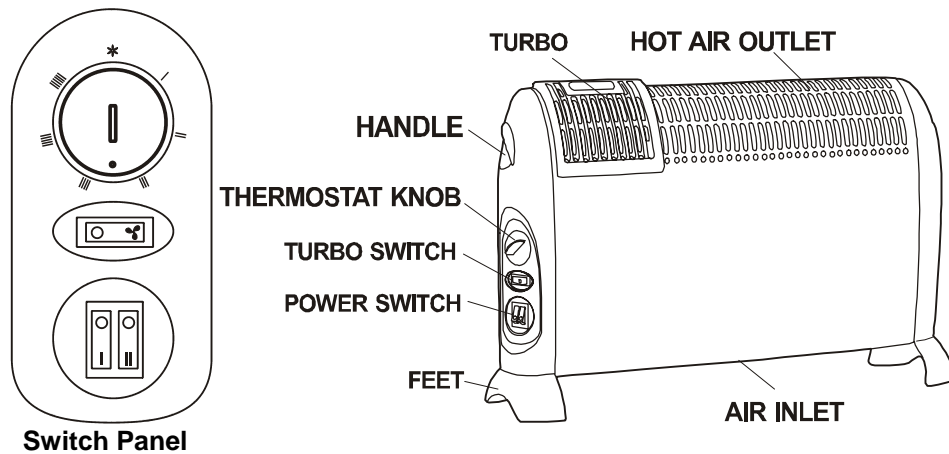
If a **13A (BS 1363)** fused plug is used it must be fitted with a **13A** fuse. If in doubt consult a qualified electrician.

#### Wiring for a 13 Amp Plug (BS1363)

Please note. The Earth Terminal is marked with the letter **E** or Earth Symbol  $\oplus$



## C. PARTS DESCRIPTION



## D. PRE-OPERATING INSTRUCTIONS

1. Carefully remove your heater from the box.  
(please save the carton for off-season storage).
2. Do not use without feet fitted.  
When operating, the distance between the radiator and the wall and any other objects must be at least 3 feet (0.9 m) from the front of the heater and keep them at least 1 feet (0.3 m) away from the sides and rear
3. Make sure the unit is in the off position before plugging the heater into the power socket and unwind the power cord from the cord bracket.
5. Place the heater on firm level surface in the upright position.
6. Avoid overloading the circuit. Do not use other high wattage appliances in the same power socket. Never use a multi-point adaptor in conjunction with this appliance.

### Caution:

Do not cover or use to dry clothes.  
The surface of this heater is hot when in operation.

## E. FEET ASSEMBLY INSTRUCTIONS

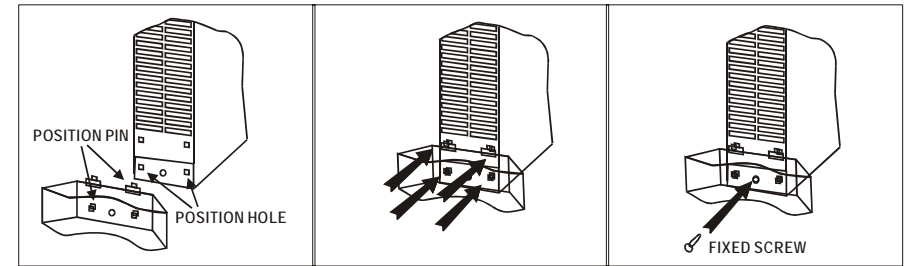


FIG 1

FIG 2

FIG 3

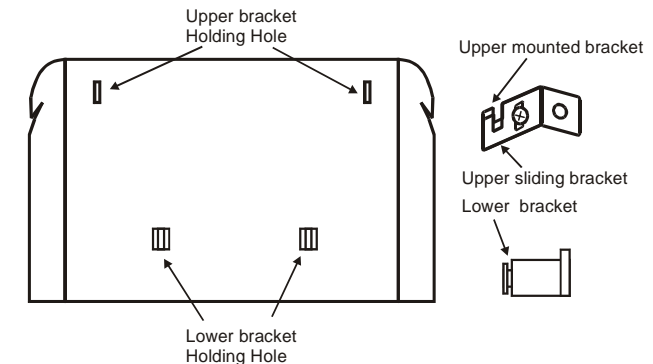
**Do not operate the heater without the feet attached to the bottom of the unit.**

### Parts: 2 feet, 4 fixing screws

1. Place the convector on a flat level surface or table.
2. Align the two holes on the feet with the pre-drilled holes on the unit (fig 1 & 2) and secure in place with of the fixed screws (fig 3).

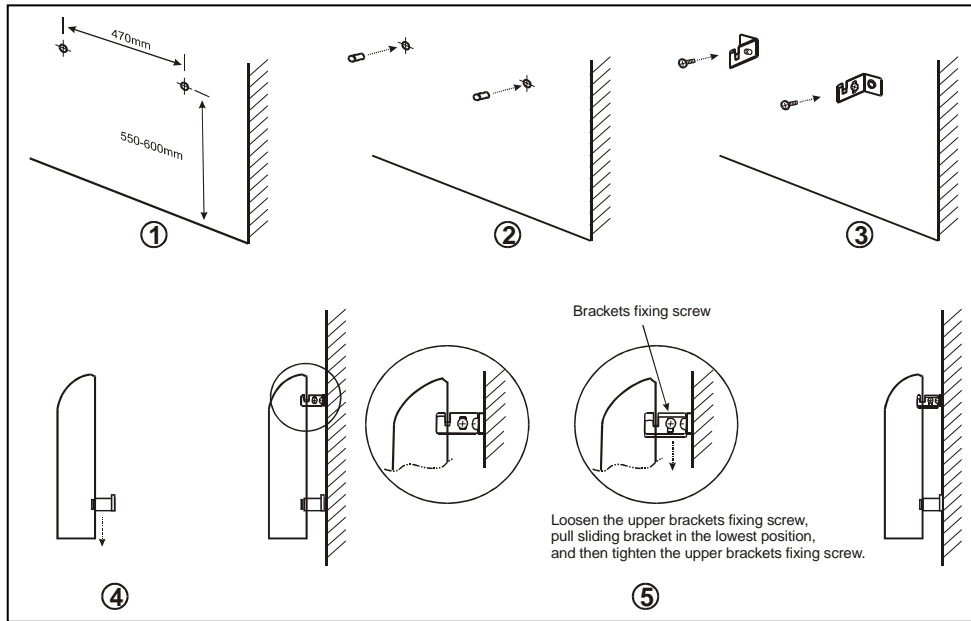
## F. WALL MOUNTING INSTRUCTIONS

If feet are already assembled, remove them before fitting the wall brackets. The brackets must be securely fitted to the wall, which must be 10cm minimum thickness and no other objects, such as curtains or cabinets should be above the heater, once fitted.



1. Drill two holes 470mm apart from each other for the upper brackets.
2. Insert two raw plugs into the two holes.
3. Securely fix the two upper brackets into the wall using the two provided screws.

- Insert the two lower brackets into the holding holes on the heater.
- Hang the heater by fitting the two holes at the top of the heater onto the two upper brackets. Loosen the upper brackets fixing screws, pull sliding bracket in the lowest position and then tighten the brackets fixing screws.



## G. OPERATING INSTRUCTIONS

**Caution: This is heater is hot while in operation. It should not be operated unless it is placed in an upright position. Remove all packaging material from the heater.**

- Select an indoor location for the heater away from electrical power cords, curtains and other furnishing. DO not place the heater directly beneath an electrical outlet or against paperboard or low-density fibreboard.
- Push the power switch to off and turn the thermostat to low before plugging in the radiator.
- Plug the heater into the power sockets and push the power switch to on.
- There are two indicator light switches, which allow you to set your desired power levels. 'I' is for 800W, 'II' is for 1200W. To set the third power setting, 2000W, press both switches (II & I).
- There is an indicator light switch, which enables you to turn on/off the turbo fan. "🌀" is for turning on the turbo, "OFF" is for turning off the turbo.

- The operating temperature is selected by adjustment of the thermostat.
- To determine the correct operating temperature for you conditions, when you first switch the unit on set the thermostat to the maximum position. When the unit reaches the required temperature, slowly turn down the thermostat, until the unit switches off. The temperature will now be kept constant. When the temperature falls the unit will come on again.

## H. SAFETY OVERHEAT SHUT OFF

A thermal overload protector is built in to prevent overheating. When a potential overheat temperature is reached, the heater will be automatically shut off. It can only resume operation when the user resets the unit.

## I. RESET THE HEATER

- Push the Power Switch to the **OFF** position.
- Unplug the heater and wait 5-10 minutes for the unit to cool down.
- Inspect and remove any objects on or adjacent to the heater that may cause high temperature.
- After 5-10 minutes, plug the unit in again and operate normally.

**NOTE: IF YOU EXPERIENCE A PROBLEM WITH YOUR HEATER, PLEASE SEE THE WARRANTY FOR INSTRUCTIONS. PLEASE DO NOT ATTEMPT TO OPEN OR REPAIR THE HEATER YOURSELF. DOING SO MAY VOID THE WARRANTY AND COULD CAUSE DAMAGE OR PERSONAL INJURY.**

## J. CLEANING

Before cleaning turn the heater turn off and unplug from the power supply. To clean use a soft cloth to wipe off any dust. If the heater is very dirty use a damp cloth and wipe dry. Do not use any cleaning detergents, sprays or other chemicals, as they will damage the heater. Store in the original packaging in a ventilated dry area, during off season use.

**Caution:** Do not allow water to run into the interior of the heater as this could cause a fire or electric shock. **DO NOT** attempt to repair this heater yourself.

## K. SPECIFICATIONS

Model	Power	Voltage	N.W. kg	G.W. kg
N10Turbo	2000W	230V~ 50Hz	4.00	5.20