

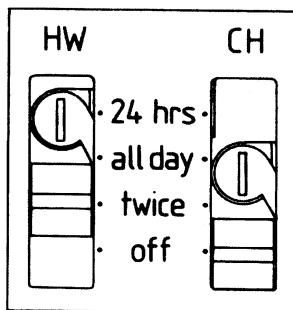
## NEON INDICATOR - DIADEM ONLY

The neon indicator will illuminate when the appropriate Hot water and/or Central Heating circuits of the time control are ON, even if the circuit is switched OFF by the Thermostats. However, with certain Fully pumped systems, the neon indicator may remain lit when the time control is in the OFF position. This does not affect the normal operation of the unit.

## GRAVITY OR FULLY PUMPED SYSTEMS 425 DIADEM - TIARA

**Gravity** - On this type of system it is possible to have Hot water without Central heating, but not Central heating without Hot water. In this case the installer would have interlocked the select switches. (See diagram)

**Fully Pumped** - On this type of installation the selectors are not interlocked and Hot water and Central heating programmes can be set independently of each other.



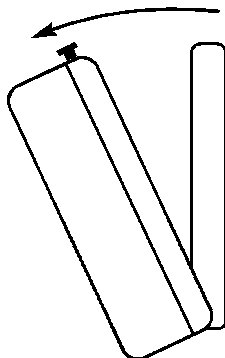
## REMOVING THE PROGRAMMER

For your safety removal should only be carried out by a qualified person.

**WARNING: THE UNIT MUST BE ISOLATED FROM THE MAINS SUPPLY BEFORE REMOVAL.**

The time control can be removed from its Backplate without disturbing the wiring. To remove the unit, loosen the two captive screws on the top of the unit and firmly pull the control from the top and down in an arc motion.

Replacing the unit is the reverse of the above instruction, first engaging the lugs in the flange at the bottom of the Backplate.



END VIEW OF 425 CORONET-TIARA-DIADEM

## SERVICE AND REPAIR

This programmer is NOT user serviceable. Please do not dismantle the unit. In the unlikely event of a fault developing please contact a local heating engineer or a qualified electrician.

Horstmann Controls Limited  
Bristol  
BS4 1UP

Email: sales@horstmann.co.uk  
Website: www.horstmann.co.uk



LEAFLET No P27673  
ISSUE 1

USERS INSTRUCTIONS  
425 DIADEM - TIARA - CORONET

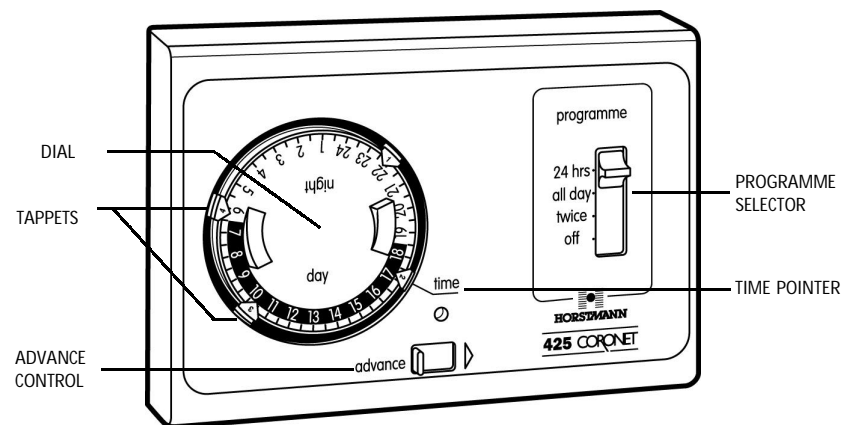


HORSTMANN

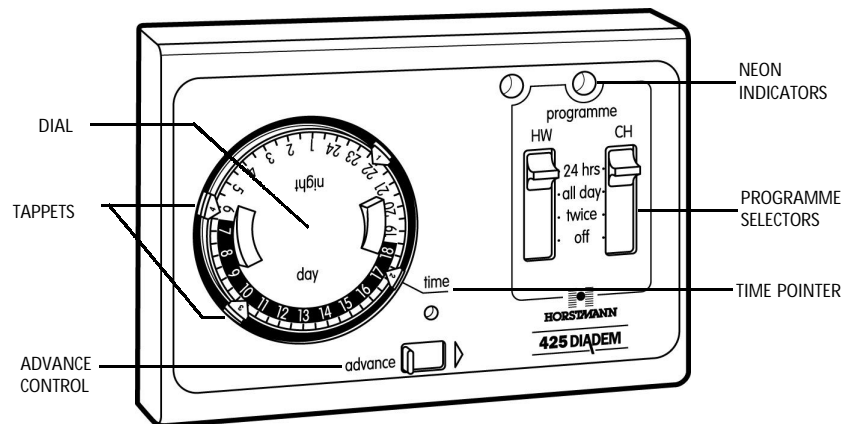
The 425 Range of traditional Electro-mechanical Programmers offer a simple yet effective way of controlling your environment. The twin circuit Diadem and Tiara will also allow you to have independent control of Hot water and Central heating.

## GET TO KNOW YOUR PROGRAMMER

### FRONT VIEW OF 425 CORONET



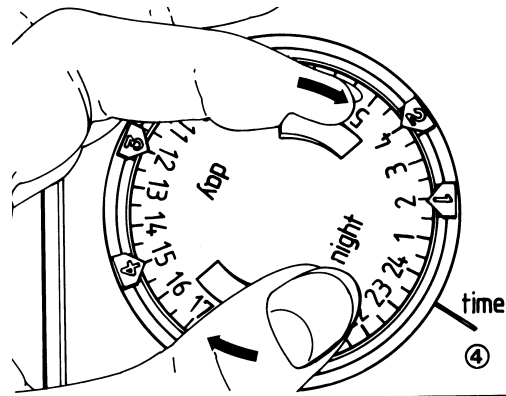
### FRONT VIEW OF 425 TIARA - DIADEM (NEON INDICATORS ON DIADEM ONLY)



# 425 CORONET - DIADEM - TIARA

## SETTING THE TIME

The dial rotates clockwise and makes one complete revolution every 24 hours. To set the correct time turn the dial clockwise by hand (Using the levers on the clock face) until the correct time of day is against the line marked TIME. (See diagram)



## SETTING THE ON/OFF TIMES

The four setting tappets, coloured red and blue, are moved around the circumference of the dial to set your required ON and OFF times.

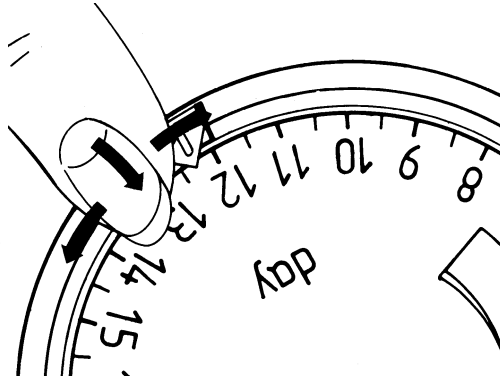
These tappets work in pairs to switch the system ON and OFF.

- No 1(red) 1st ON and No 2(blue) 1st OFF
- No 3(red) 2nd ON and No 4(blue) 2nd OFF

The tappets may be moved in either direction. (See diagram)

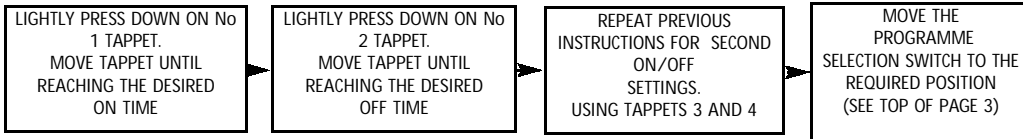
Please ensure that you press and hold down any tappet that is to be moved, release tappet only once correct time position has been reached.

Tappets cannot be moved across the Time line. The position of the dial may have to be altered to set the initial ON/OFF time.

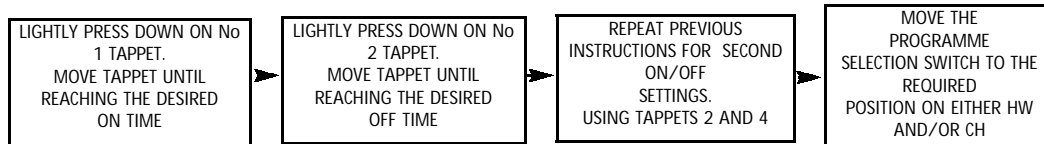


Please ensure the clock is set to the correct current time after altering the ON/OFF settings.

## CORONET - SETTING THE ON/OFF TIMES



## DIADEM - TIARA - SETTING THE ON/OFF TIMES



## PROGRAMME SELECTIONS

24 Hrs - The system will be permanently ON

All Day - The system will switch ON from tappet 1 (red) and OFF at tappet 4 (blue). Tappets 2 and 3 are ignored.

Twice - The system switches ON at tappet 1 (red), OFF at tappet 2 (blue), ON at tappet 3 (red) and OFF at tappet 4 (blue).

Off - The timer continues to operate but the system will be permanently OFF

## SWITCH STATE INDICATOR

Located above the ADVANCE switch, the switch state indicator shows you the number of the tappet which operated last.

Eg. If the system was switched ON by tappet 1 at 7:00am and it is now 9:00am, providing that no further tappets operations have past, a number 1 should show in the aperture. If the switch state indicator does not agree with the programme set on the dial, rotate the dial one whole turn and reset to the correct time of day. This will ensure that the switch state corresponds to the last tappet operation.

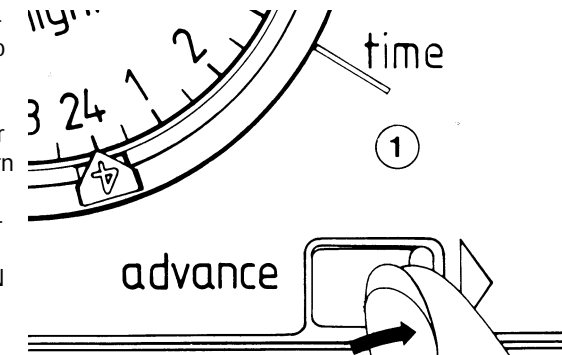
## ADVANCE CONTROL

The Advance control allows you to start an ON or OFF period early without altering the tappet, time or programme selection settings. Moving the advance control to the extreme right brings forward the operation of the next tappet. The switch state indicator then changes to the appropriate number. When the next tappet passes the Time line, normal operation returns.

When the programme selector is in the All Day position, tappets 2 and 3 do not operate. If you require to switch the system OFF for the day after the morning switch ON, you will need to step forward with the advance switch until the number 4 is shown in the switch state indicator.

If you wish to switch ON and OFF by hand or vice versa, before the next automatic switching operation, the Advance control must be operated until the switch state indicator is returned to the correct automatic sequence.

EXAMPLE, If you turn the system ON again after the preset night shut down time, when you turn it OFF before retiring make sure to operate the advance switch again until the number 4 is displayed in the switch state indicator so that the red tappet number 1 will switch the system ON in the morning.



DO NOT OPERATE THE ADVANCE SWITCH WHEN A TAPPET IS AGAINST THE TIME LINE.