

USER INSTRUCTIONS

To use the Electrisaver simply press the BOOST button in quick succession until the indicator light for the required boost period is illuminated (see table below).

BOOST PERIOD			
PRESS BOOST BUTTON TO SELECT LENGTH OF REQUIRED BOOST.			
BUTTON PRESS	#1	#2	#3
Electrisaver E15	15min	30min	60min
Electrisaver E30	30min	1 Hour	2 Hour

To cancel a boost period press the BOOST button continuously until ALL the indicator lights are OFF.

Keeping the boost button depressed will cancel any Boost period.

When the Boost is activated the indicator light will 'countdown' showing the approximate duration of the Boost period remaining.

SERVICE AND REPAIR

The Electrisaver is NOT user serviceable. Please do not dismantle the unit. In the unlikely event of a fault developing please a local heating engineer or a qualified electrician.

SPECIFICATION

Purpose of control: Electronic Timer (Independently mounted)

Classification: Type 1C Action (RL1)

Contact rating: 13A 230V AC Suitable for load up to 3Kw

Power supply: 230V AC 50Hz

Operating temperature range: 0°C to 35°C

Shock protection: Class 1 (Live parts enclosed)

Dirt protection: Normal situations.

Enclosure protection: IP30

Independently mounted control for surface mounting.

Operating time limitation: Intermittent

Case material: Thermoplastic, flame retardant

Dimensions: 87mm x 87mm x 16mm (Flush mounted)
51mm (Surface mounted)

Mounting: Single gang surface moulded box (35mm minimum)
Single gang mounting box

Boost Period: Model E15 - 15min/30min/60min
Model E30 - 30min/1 Hour/2Hour

Timing Accuracy: +/- 5%

Horstmann Controls Limited
Bristol
BS4 1UP

Email: sales@horstmann.co.uk
Website: www.horstmann.co.uk



LEAFLET No P80502
ISSUE 3

AND INSTALLATION INSTRUCTIONS
ELECTRISAVER USER

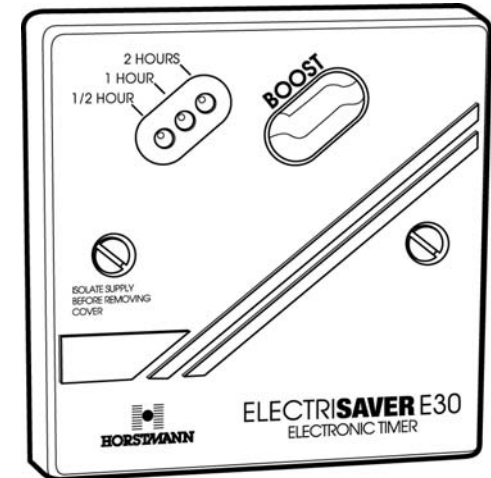
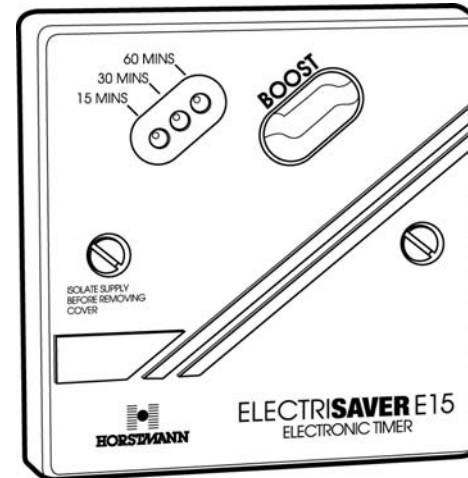


HORSTMANN

Horstmann's Electrisaver - Push button boost timer can be used to control immersion elements up to 3Kw or as as override/extension timer for Central heating systems.

INSTALLATION AND CONNECTION SHOULD ONLY BE CARRIED OUT BY A SUITABLY QUALIFIED PERSON AND IN ACCORDANCE WITH THE CURRENT EDITION OF THE IEE WIRING REGULATIONS.

**WARNING : ISOLATE MAINS SUPPLY BEFORE COMMENCING INSTALLATION
ENSURE THE UNIT IS PROPERLY EARTHED.**



INSTALLATION

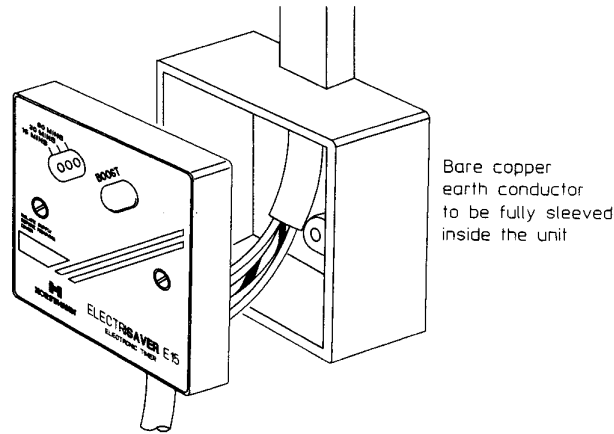
Means of disconnection from the supply having at least 3mm contact separation in both poles must be incorporated in the fixed wiring.

We recommend a separate fused circuit from the consumer unit (24 Hour supply) protected by a 15 amp HRC fuse or, preferably a 16 amp MCB. In some cases immersion heater failure can damage the Electrisaver. Installation of a 100 mA RCD will provide additional protection for the unit. If the Electrisaver is to be connected to a ring main then the spur feeding the controller should be protected in the same way.

The Electrisaver is NOT suitable for mounting on an unearthed metal surface.

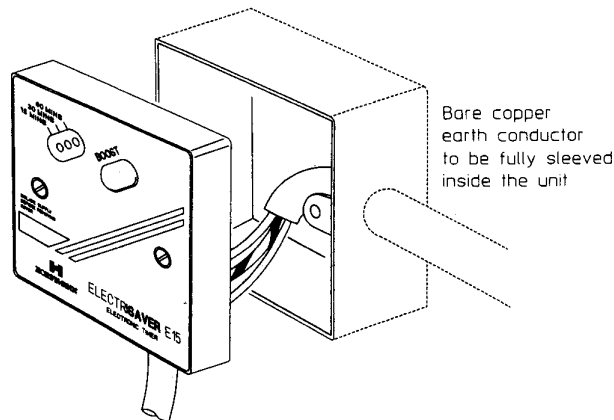
SURFACE WALL MOUNTING

The Electrisaver is suitable for mounting directly on to any surface mounted single gang moulded box having a minimum depth of 28mm. Cable entry being through the most convenient cut-out.



FLUSH WALL MOUNTING

The Electrisaver can be mounted directly to any standard 35mm deep flush mounting single gang wiring box complying with BS4662



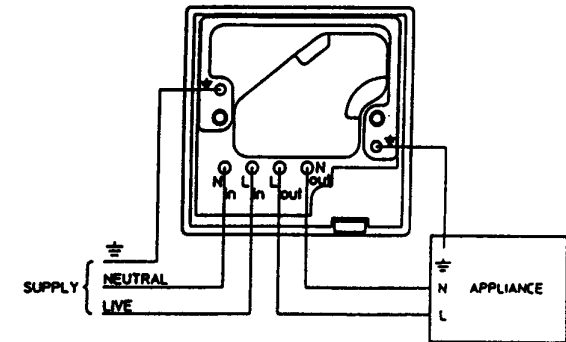
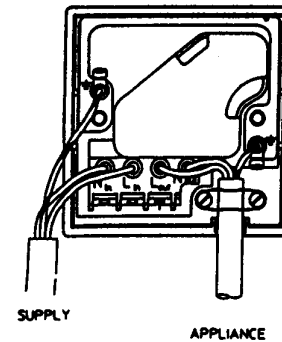
Use twin and earth cable with a minimum conductor size of 2.5mm² to connect the Electrisaver to the supply. Use a suitably rated three-core flexible cord (see below) to connect the Electrisaver to the appliance to be switched.

For appliances up to 2Kw rating use minimum 1.0mm² conductors.

For appliances up to 3Kw rating use minimum 1.5mm² conductors.

Heat resistant flexible cord must be used if connection the Electrisaver to an immersion heater. Connections to the Electrisaver terminal block should be as follows:-

N in	=	NEUTRAL in
N out	=	NEUTRAL out to appliance
L in	=	LIVE in
L out	=	LIVE out to appliance



Remove cut-outs before fixing the box. Where appropriate drill the box to provide close fitting entry for cables and heat-resistant flexible cords. Take care to remove sharp edges. All un-insulated earth conductors must be sleeved and connected to the earth terminals on the back of the Electrisaver.

The supply Earth conductor and appliance Earth conductor must use the separate terminal connections provided.

Clamp all surface wiring to the wall adjacent to the Electrisaver or use trunking where appropriate. The flexible cord to the appliance should be passed through the cable entry hole in the bottom edge of the Electrisaver, and secured under the cable clamp provided.

Ensure that the clamp is positioned the right way up ie. the projections on the underside of the clamp should grip the cord in order to secure the cable firmly, the cable clamp screws must be adequately tightened.

Carefully offer the Electrisaver to the moulded/metal box and secure using two M3.5 captive screws provided. Do not damage insulation or trap the conductors during this operation. Finally switch on the mains supply, ensure the Electrisaver operates correctly.

THE ELECTRISAVER SHOULD BE KEPT IN ITS SEALED PACK UNTIL ALL DUST AND DEBRIS HAS BEEN CLEARED AWAY PRIOR TO MAKING CONNECTIONS.