

Handyflow Oversink

Vented Point of Use
Water Heater
5 litres



p. 28

Usage

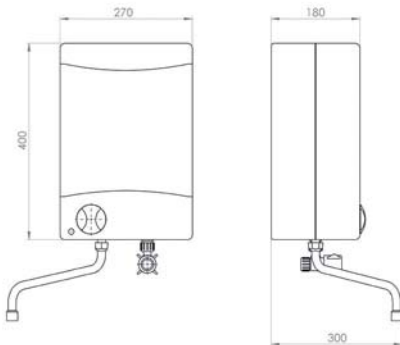
Ideal for occasional use light dishwashing at a single kitchen sink in the workplace, for example portable buildings, offices, shops, workshops, garages and other small commercial premises.

Features and Benefits

- Open outlet heater to supply hot water to a single sink
- Ideal when economy and ease of installation are the key priorities
- Stylish design and slimline profile – depth only 7" (180mm)
- Comes complete with tap and chrome spout
- Thermal cut-out can be re-set rather than requiring to be replaced.
- 2kW element
- External temperature control with frost protection setting
- Neon element on indicator
- Wall fixing bracket included and cable pre-wired (1m) – saves time on installation
- No need for expansion vessel, relief valve or reducing valve

| Product Code | Capacity (litres) | Power (kW) | Heat Up Time (mins)* | Standing Loss (kWh/day) |
|--------------|-------------------|------------|----------------------|-------------------------|
| HF05LM | 5 | 2.0 | 12 | 0.32 |

*Heat up time from 10°C to 75°C

**Outer Casing**

Easy clean, high impact plastic

Heating Element

Copper screw fit element

Thermostat

Bulb type adjustable

to approx. 80°C

E setting approx. 55°C

Water Tank

Polypropylene

Insulation

High density polystyrene

CFC free

Spout

Length 10" (250mm)

Safety

Open outlet non pressurised system, supplied tap and spout must be used.

Safety re-settable thermal cut out

Frost protection setting when power is switched on.

Heating Cycle

It is normal for the spout on this type of unit to drip slightly during the heating cycle, caused by the water expanding as it heats up.

IP Rating

IP24

Approvals

CE

Installation

Must be sited above a sink using the wall fixing bracket supplied, with the spout and tap located at the bottom of the unit.

Plumbing

Must be installed by a suitably qualified person.

Can be connected to a rising main or to a cistern with a minimum working head of 5 metres.

Connections ½" BSP to cold side

The spout and inlet tap provided must be used.

ONLY USE THE OUTLET FITTINGS SUPPLIED SO THAT THE UNIT IS NOT PRESSURISED.

Electrical Connection

Installation must comply with current IEE regulations.

To be wired to a double pole switched fused spur with a minimum break capacity of 13 amps.

Cable pre-wired (1m)

Standard Warranty

1 year parts or replacement warranty

| Product Code | Height (mm) | Width (mm) | Depth (mm) | Weight (kg) | |
|--------------|-------------|------------|------------|-------------|------|
| | | | | Empty | Full |
| HF05LM | 400 | 270 | 180 | 3.5 | 8.2 |