

hyco

# Single Lever Mixer Tap

TAPSLM

PLEASE READ THESE INSTRUCTIONS BEFORE COMMENCING INSTALLATION. UPON COMPLETION OF INSTALLATION ENSURE THE INSTRUCTIONS ARE LEFT WITH THE USER/MAINTAINER OF THE PRODUCT.

## Single Lever Mixer Tap

### 1. INTRODUCTION

Thank you for purchasing the Hyco Single lever Mixer tap TAPSLM. Ideal for use with the Hyco Rho and Aquila Instantaneous water heaters, the tap is supplied with a standard aerator. If the tap is to be used with an instantaneous water heater there is also a choice of 3 tap spray nozzles – 2.0, 2.5 or 3.0 litres/min.

### 2. IMPORTANT SAFETY POINTS



INSTALLATION SHOULD BE CARRIED OUT BY A SUITABLY QUALIFIED PERSON.



ENSURE MAINS WATER SUPPLY FEEDS ARE ISOLATED BEFORE REMOVING ANY EXISTING TAP AND YOU BEGIN THE MIXER TAP INSTALLATION PROCESS.



ENSURE THAT THE WATER PRESSURE IS WITHIN THE REQUIRED RANGE AS STATED IN THE TECHNICAL SPECIFICATION SECTION.



ALL SUPPLY PIPEWORK SHOULD BE THOROUGHLY FLUSHED THROUGH BEFORE CONNECTING TO THE TAP, THIS IS TO REMOVE ANY DEBRIS.

### 3. INSTALLATION



ALL SUPPLY PIPEWORK SHOULD BE THOROUGHLY FLUSHED BEFORE CONNECTING TO THE TAP, THIS IS TO REMOVE ANY DEBRIS.

Fig 1

- Before fitting to the sink, ensure the inlet pipes are screwed in securely. Fit the black O-ring and connect the flexible hoses.

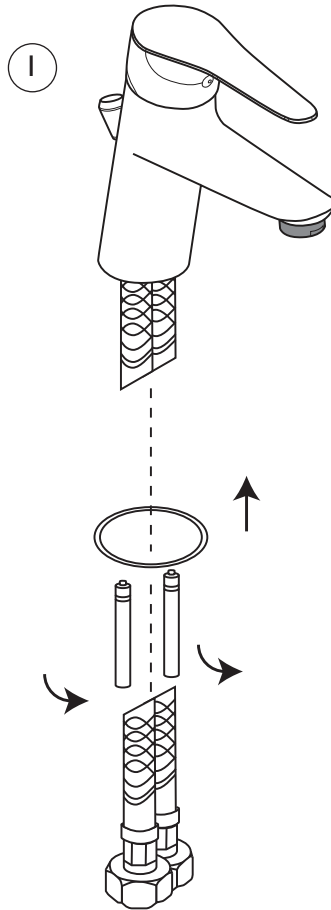


Fig 2

- Fix the tap to the basin and connect the extension rod as shown.

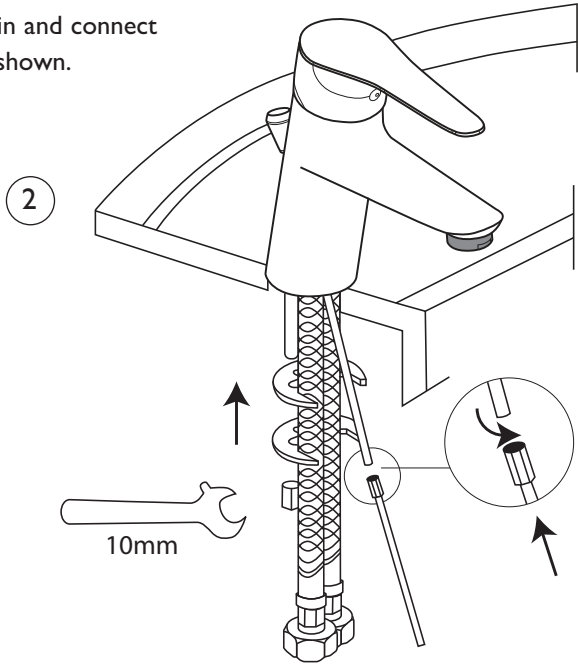
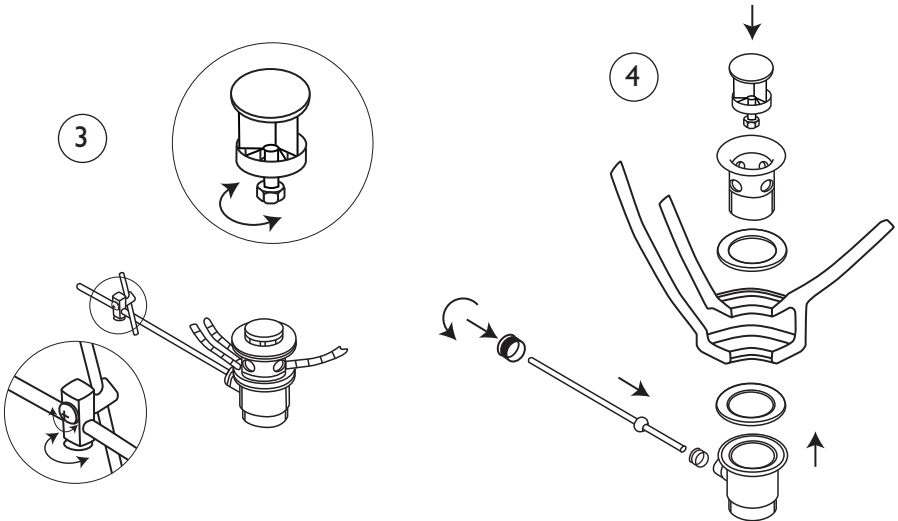


Fig 3 & 4

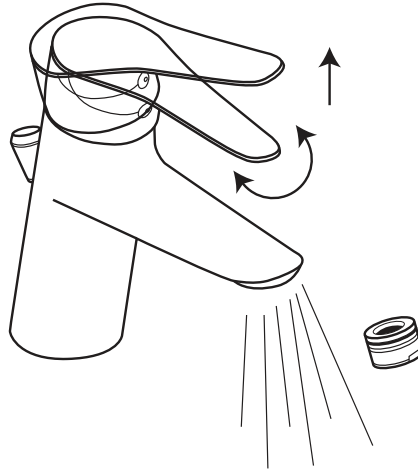
- Assemble the pop-up waste over the basin.



### Use with Instantaneous water heaters

The tap is supplied with a standard aerator but for use with instantaneous water heaters a tap spray nozzle is recommended (3 options supplied).

- Turn on mains water supply. Remove the aerator and flush through by opening the tap. Select the correct tap spray nozzle using the table below and fit into the tap.



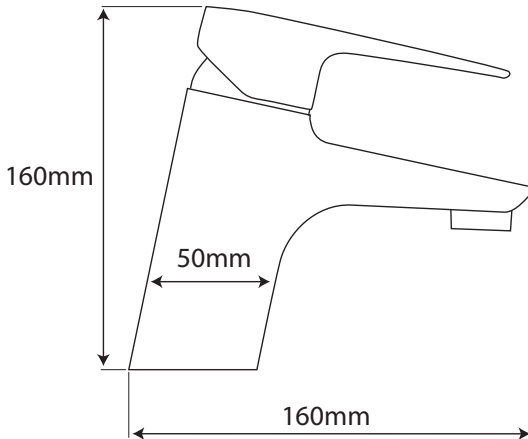
Tap spray nozzle	Max flowrate (litres/min)	Best Suited to water heater	Colour code identification
IN-TSN-2.0	2.0	4.4kW Rho	White/Black
IN-TSN-2.5	2.5	6.0kW Rho	White/Green
IN-TSN-3.0	3.0	9.6kW Aquila	White/Lilac

#### 4. CARE AND MAINTAINANCE

Clean with a damp cloth only - Do not use abrasives as these can damage the surface of the tap.

#### 5. TECHNICAL SPECIFICATION

<b>MIN SUPPLY PRESSURE</b>	0.2bar
<b>MAX OPERATING PRESSURE</b>	10bar
<b>MAX HOT INLET TEMPERATURE</b>	80°C
<b>RECOMMENDED HOT INLET TEMPERATURE</b>	60°C
<b>WATER CONNECTION (COLD)</b>	Right
<b>WATER CONNECTION (HOT)</b>	Left



## 6.GUARANTEE AND SERVICE POLICY

This product is guaranteed against faulty materials and manufacture for a period of one year from the date of purchase. Hyco will in its sole discretion replace, repair or refund any faulty unit. Incorrect installation, frost damage, and the consequences of limescale deposits are excluded. Consequential costs such as labour charges or damage to fittings and surroundings are expressly excluded.



**Hyco Manufacturing Ltd**  
Normandy Court, Express Way  
Castleford, WF10 5NR

Sales: 01924 225 200  
Fax: 01924 225 210  
Switchboard: 01924 225 215

Email: [sales@hyco.co.uk](mailto:sales@hyco.co.uk)  
[www.hyco.co.uk](http://www.hyco.co.uk)

■ WATER HEATING

■ SPACE HEATING

■ HAND DRYERS