

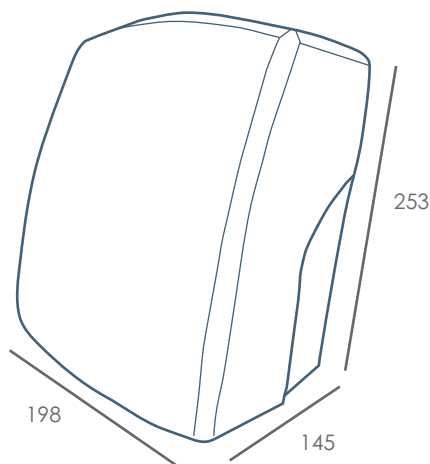
JUNIOR

hand dryer



Contents

- 1 x hand dryer unit
- 1 x instruction manual
- 1 x installation template
- 3 packs x 4 x 25 screws
- 3 packs x 6mm diameter plugs



The UltraDry Junior is a compact, impact resistant, ABS plastic dryer designed for low traffic washrooms and areas with limited space. The product is ideal for restaurants and small office premises.

- Impact resistant ABS shell
- Infrared sensor with anti interfere technology
- Full retail box
- 1 year guarantee



El UltraDry Junior es un secador de plástico ABS compacto y resistente al impacto diseñado para baños de baja concurrencia y áreas de espacio limitado. El producto es ideal para restaurantes y pequeñas oficinas.

- Exterior de ABS resistente al impacto
- Sensor infrarrojo con tecnología anti-interferencias
- Caja completa
- 1 año de garantía



Le UltraDry Junior est un séchoir en plastique ABS compact et résistant aux chocs conçu pour les toilettes à faible trafic et pour les zones où l'espace est limité. Le produit est idéal pour les restaurants et les petits bureaux.

- Coque en ABS résistante aux chocs
- Capteur infrarouge avec technologie anti-interférences
- Avec boîte pour vente au détail
- Garantie 1 an



UltraDry Junior è un asciugatore in plastica ABS compatto e antiurto, progettato per bagni ove l'affluenza è bassa e locali dove lo spazio è limitato. Il prodotto è ideale per ristoranti e piccolo uffici.

- Scocca resistente agli urti in ABS
- Sensore infrarosso con tecnologia antinfortunistica
- Confezione per vendita al pubblico
- Garanzia 1 anno



Der UltraDry Junior ist ein kompakter, schlagfester Trockner aus ABS-Plastik konzipiert für Waschräume mit niedrigem Betrieb oder wenig Platz. Dieser Trockner ist geeignet für Restaurants und kleine Büroräume.

- Schlagfeste ABS-Hülle
- Infrarotsensor mit Anti-Stör-Technologie
- Vollständige Eurobox
- 1 Jahr Garantie



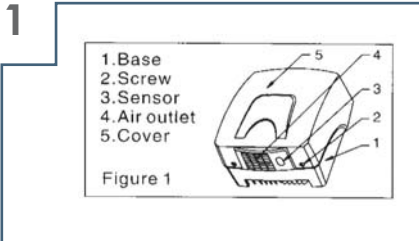
Suszarka UltraDry Junior to kompaktowa, odporna na uderzenia suszarka w obudowie z plastiku ABS, zaprojektowana specjalnie do niewielkich miejsc o niskim natężeniu ruchu. Idealny produkt do restauracji czy małego biura.

- odporna na uderzenia obudowa ABS
- czujnik podczerwieni
- pojemnik z częściami
- 12 miesięcy gwaancji

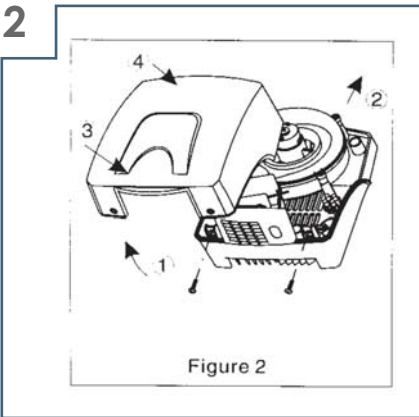
UK	SPA	FRA	ITA	GER	POL	
Power	Potencia	Alimentation électrique	Potenza	Leistung	Moc	1500 w
Motor speed	Velocidad del motor	Régime du moteur	Velocità del motore	Motorengeschwindigkeit	Prędkość silnik	
Voltage	Voltaje	Tension	Alimentazione	Spannung	Napięcie podmuchu	220v 50 Hz
Dry time	Tiempo de secado	Temps de séchage	Tempo di asciugatura	Trocknungszeit	Czas suszenia	30-35 secs
Splashproof rating	Calificación anti-salpicaduras	Classe anti-éclaboussures	Protezione dall'acqua	Spritzwasserschutzprädiikat	Bryzgoszczelność	IPX1
Weight	Peso	Poids	Peso	Gewicht	Waga	1.6 kg
Surface mounted	Montaje en superficie	Montage en surface	Scocca montata	Oberflächenmontierbar	Natynkowy	
Certified	Aprobado	Marquage	Marchio	zertifiziert	Certyfikat	CE
Product code	Código producto	Code produit	Codice prodotto	Bestellnummer	Kod produktu	H14
Dimensions	Dimensiones	Dimensions	Dimensioni	Abmessungen	Wymiary	↓ H253 ← W198 → D145 ↗



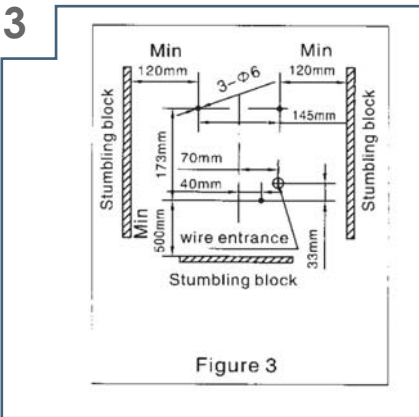
PLEASE READ THESE INSTRUCTIONS CAREFULLY BEFORE ATTEMPTING TO INSTALL THIS APPLIANCE.



It is advisable to keep these instructions in a safe place for future reference. If this appliance is installed by a contractor, the contractor should ensure that the customer has a copy of these instructions. This appliance must be installed in accordance with current IEE wiring regulations and building regulations (Part p) by a qualified electrician.



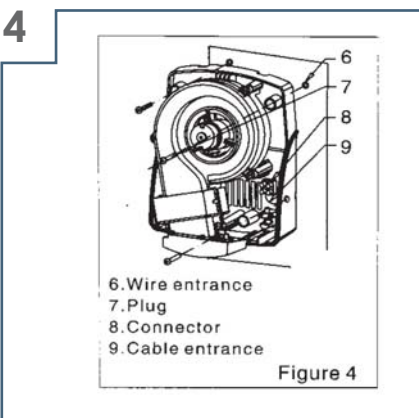
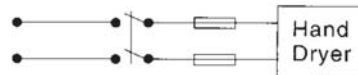
- Ensure electricity is switched off at the mains before installing or maintaining this appliance.
- **Do Not** wire this hand dryer into the lighting circuit. It is essential that the circuit should be protected by an independent 13A fused switched spur
- **Do Not** install the hand dryer near baths, showers, swimming pools or where it can be sprayed by water.
- **Do Not** cover the air inlets or outlets
- **Do Not** shake the hand dryer
- When the hand dryer is out of order during use, please cut off the power immediately, stop using it and contact CZP or find a qualified electrician to fix it.
- If the supply cord is damaged, it must be replaced by the manufacturer, its service agent or a qualified electrician in order to avoid a hazard.
- This product is not intended to be used by persons (including children) who are disabled, or those with a lack of experience/knowledge of the product, unless they are given instructions how to use it and is supervised by a person who is responsible for their safety.



Installation

Recommended installation height (measured from air outlet to the floor): 1.2m for males, 1.1m for females, and 0.9m for children.

Electrical connection must be made to the fixed wiring of the property using a double pole isolating switch, with a break contact distance of at least 3mm.



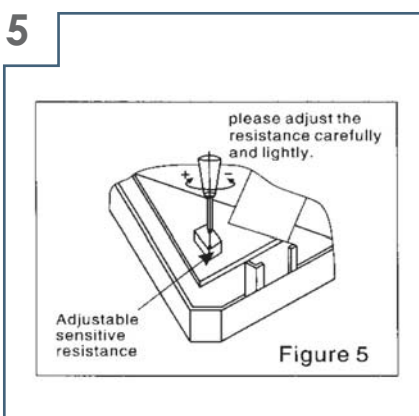
1. Remove the front casing by removing the two screws from the cover and following the directions of the arrows, as shown in (Fig 2)
2. Use the template enclosed to drill 3 holes (6mm diameter) into the wall you want the unit to be fixed to, as shown in (fig 3).
3. Fix the base of the unit on to the wall by using the plugs and screws included with the product (fig 4).
4. Concealed wire installation: remove the original power cord, and guide the prepared wire into the hand dryer through the base hole (3 & 4 in fig 2). Replace the cover and secure with screws.

Application

After you have finished installing the product, switch on the power and put your hands underneath the air outlet. The hand dryer will work automatically.

The hand dryer blows the hot air when hands are 11 cm or closer to the air outlet, and stops working 1 second after removing your hands. It also stops working automatically after 1 minute of consecutive use. To restart the hand dryer, put your hands back underneath and re-activate the sensor.

The induction sensibility of the hand dryer is set at the highest point. If it works for too long or does not work after installation, please adjust the sensor.



GUARANTEE

Garantie / Garantie / Garantia / Gwarancja

In the unlikely event you find a fault with this product please contact us **within 12 months of the purchase date with details of the fault and any images / proof**. We will attempt to repair the units in the first instance, if this is not possible for whatever reason we will endeavour to replace with a like for like unit or similar. If no alternative is available we will credit accordingly.

Any product sent back after 12 months after the purchase date will be at the cost of the customer including any repairs authorised.

Please see our terms and conditions on our website for more information.
www.controlzoneproducts.co.uk/terms.html



WEEE Compliance No. WEE/BF0173SY

This product should not be disposed with other household waste throughout the EU. To prevent possible harm to the environment or human health from uncontrolled waste disposal, recycle this product responsibly to promote the sustainable reuse of material resources. To return your used device, please use the return and collection service or contact the retailer where the product was purchased.



CE marked / CE zertifiziert / Marquage CE /
Marcado CE / Certyfikat CE

**1 YEAR
GUARANTEE**

UltraDry Junior

CONTACT

Kontakt / Contact / Contacto / Kontakt

Control Zone Products

Roman Ridge Road,
Sheffield. S9 1GB
South Yorkshire.
United Kingdom

Tel: +44 (0) 114 256 0101
Fax: +44 (0) 114 244 9155
Email: info@controlzoneproducts.co.uk

