

UltraDry Pro 2TM



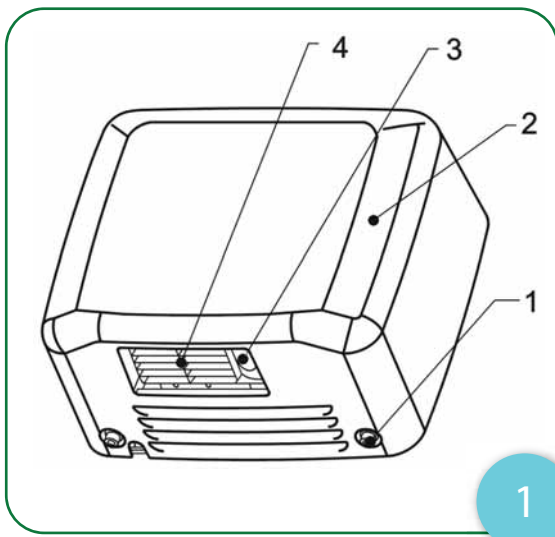
Please read these instructions carefully before attempting to install this appliance.

It is advisable to keep these instructions in a safe place for future reference. If this appliance is installed by a contractor, the contractor should ensure that the customer has a copy of these instructions.

Ensure electricity is switched off at the mains before installing or maintaining this appliance. This appliance must be installed in accordance with current IEE wiring regulations and building regulations (Part p).

- **Do Not** wire this hand dryer into the lighting circuit. It is essential that the circuit should be protected by an independent 13A fused switched spur.
- **Do Not** install the hand dryer near baths, showers, swimming pools or where it can be sprayed by water. It is suitable for installation in bathroom zone 3 (see page 3).
- **Do Not** cover the air inlets or outlets.
- This appliance must be installed by a qualified electrician.

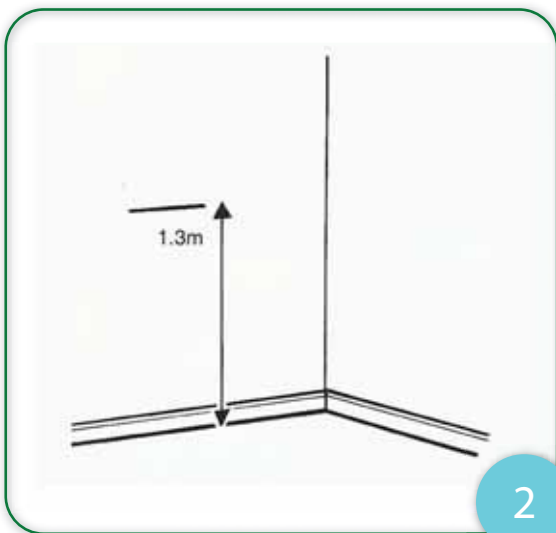
Fitting Instructions



KEY:

- 1—Cover screw
- 2—Cover
- 3—Sensor
- 4—Warm air outlet grill

Remove the hexagonal drive screws from the base of the dryer using the key supplied.

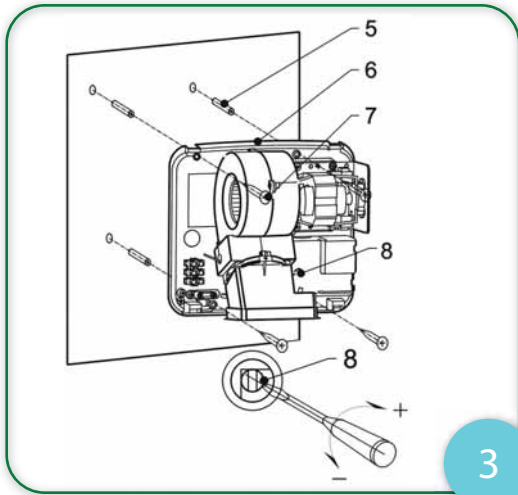


Position the dryer as shown in the diagram. Please Note: For new installations, check for any electrical cables or pipe work (gas/water) in the vicinity of the intended mounting point for the product, before proceeding with the installation.

Ensure that the mounting position can support the weight of the complete product.

Mark the position for the hand dryer approximately 1.3m from the floor.

Fitting Instructions



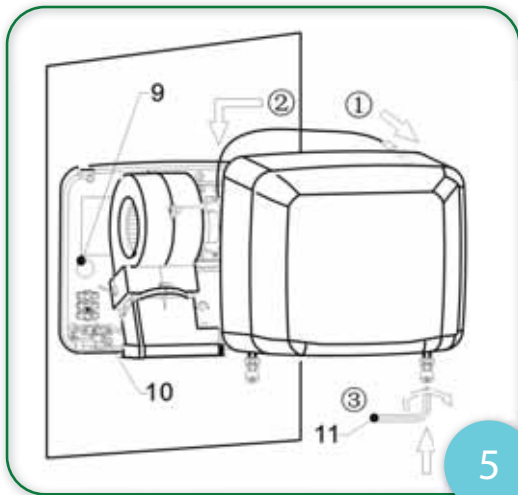
3

Using the template (back page) mark the positions for the fixing holes. If the mains supply is to be concealed, drill out the cable entry hole. It is important to ensure the template is level when marking the positions on the mounting surface.

Using an 8mm drill bit drill the fixing holes deep enough to accommodate the wall plugs and fixing screws.

Insert the wall plugs so they are flush with the mounting surface.

Secure the back plate to the mounting surface with the fixing Screws.



5

Replace the casing and secure the hex keys with the allen key.

Keep the sensor glass clean to maintain efficiency.
Turn on the electricity supply.

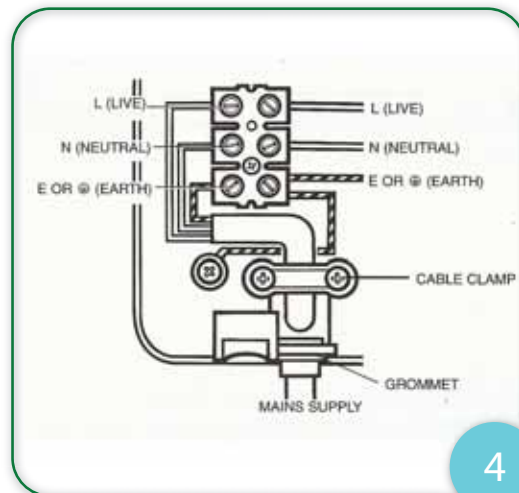
SPECIFICATION

Mains Supply: 240V ~ 50Hz

Power: 2500W

KEY:

- 5—Plastic wall plug
- 6—Back of dryer
- 7—Fixing screw
- 8—Sensitivity adjustment
- 9—Cable entry hole
- 10—Mains terminal
- 11—Hexagonal drive key



4

Release the cable clamp. Pierce the grommet cap (supplied with the screws and plugs) and slide it over the cable end. Bring the mains supply cable through the grommet and connect the mains supply cable to the terminal block on the fitting, using the following colour code for the wiring:

The wire coloured Brown or Red must be connected to the terminal marked L (Live) or the Red wire on the terminal block.

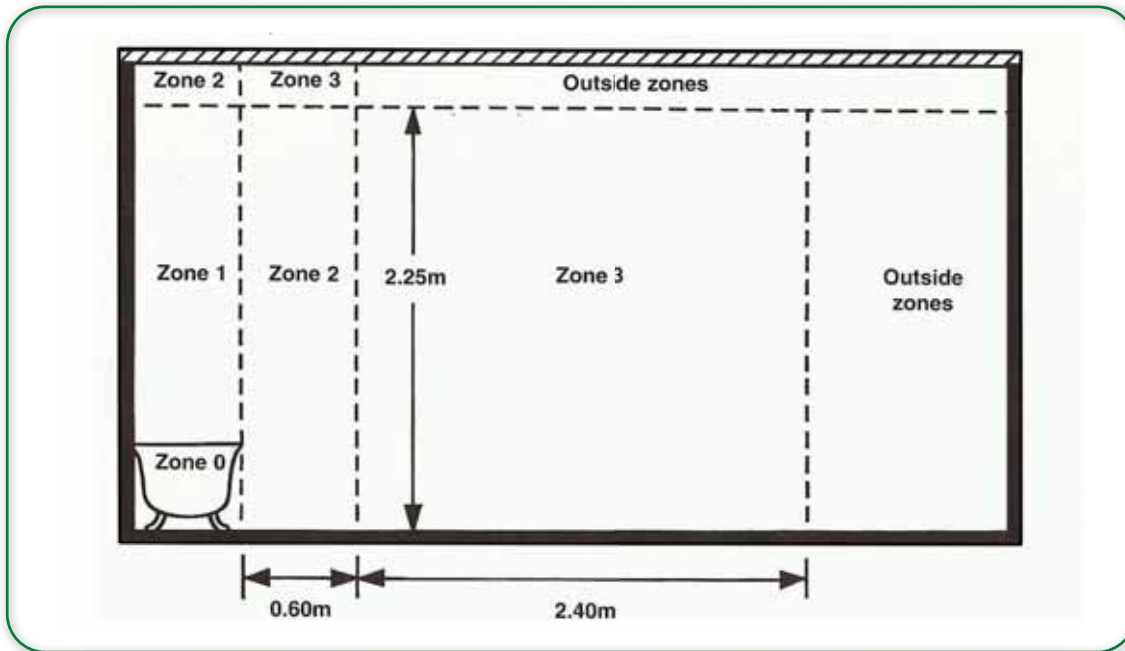
The wire coloured Green/Yellow or Green must be connected to the terminal marked E or (⊕) (Earth) or the Green/Yellow wire on the terminal block.

The wire coloured Blue or Black must be connected to the terminal marked N (Neutral) or Blue wire on the terminal block.

Ensure that connections are tight and that no loose strands are left out of the terminals. Tighten the cable clap.

THIS MUST BE EARTHED.

Installation



THIS FITTING MUST BE INSTALLED IN ACCORDANCE WITH IEE WIRING REGULATIONS AND BUILDING REGULATIONS (PART P).

Zone	Description	Suitability
0	Inside bath or shower	Not suitable
1	Within 2.25m above bath or shower basin	Not suitable
2	Within 0.6m (horizontal) from outer edge of the bath or shower	Not suitable
3	Greater than 0.6m (Horizontal) from outer edge of the bath or shower basin, or greater than 2.25m above Zone 2's floor	Suitable

This fitting should be installed at least 0.6m above a bathroom sink.

However, if you wish to fit this product in a bathroom, it is suitable for use in Zone 3 and the 'Outside zones' as per the diagram.

Warranty

3 year replacement warranty against defective parts.

(this warranty is subject to review if they have been installed in a extremely high traffic area such as a motorway service station or airport)

Installation Template

