

Concepta

product data sheet

THQF335C-WH/S/L



Description

A robust, diecast aluminium range of spotlights. Fully adjustable body and head. Ideal for accent lighting in retail, commercial and leisure environments.

APPLICATIONS

Ideal for highlighting and general lighting in retail, leisure and commercial applications, particularly where high levels of illumination are required with low maintenance and running costs.

SALES FEATURES

Comprehensive range

20W, 35W or 70W; spot (27°) or flood (63°) beam; lamp supplied. Two track versions in addition to standard version for Illuma 1-circuit track: for Concord, Global and Thorn 1-circuit track (order THQF320C/G1/L etc); for Global 3-circuit track (order THQF320C/G3/L etc). Surface-mounting versions. Attachments available to control glare and create colour effects. White, black or silver-grey finish.

Quality

Fully adjustable: body rotates 355°, lighting head tilts 90°. Integral electronic gear provides constant power, shuts off faulty lamps to eliminate pulsing and protect the gear, gives flicker-free lighting, improved colour maintenance and virtually silent operation. F-marked: suitable for direct mounting on flammable surfaces. Guaranteed for five years (except lamps).

Ease of installation

Easy installation and removal from track. The adaptor locks the spotlight positively to the track, and on the standard version incorporates a switch for individual switching. Surface spotlights are pre-wired to a 10A terminal block. Integral control gear simplifies wiring and installation.

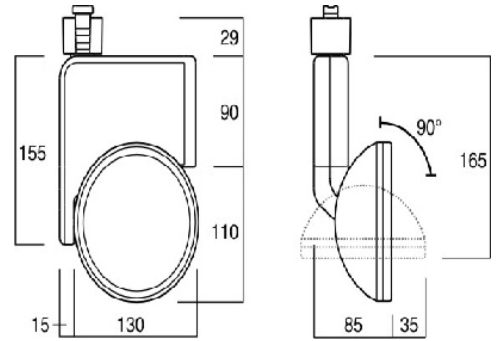
Lamp description

Crisp, white light.
Excellent colour rendering.
Output blends well with light from 12V tungsten halogen lamps.
Long life reduces maintenance costs.
Energy-efficient: up to 8 times the lumens per watt of a GLS lamp

TECHNICAL SPECIFICATION

Technical Data

Cut out dia. (mm)	0
IP Rating	20
Weight (kgs)	0.84
Input Voltage(V)	240V
Dimming	Not Suitable for Dimming



MATERIALS

Body	Diecast Aluminium
Lighting Head	Diecast Aluminium
Reflector	Super pure Aluminium

LAMP DATA

Lamp Type	Lamp Cap	No.	Lamp Watts	Lamp Current	Lamp Lumens	Lamp Life
CDM-TC	G8.5	1	35	0.17	3300	12000