

Shaker**product data sheet****TLED303WW015-AB/S****Description**

A range of LED spotlights for commercial and Museum applications

APPLICATIONS

Can be used for applications where Halogen would have previously been used.

SALES FEATURES**Comprehensive range**

A range of wattages and mounting options give a comprehensive group

Quality

5 Year Guarantee

Ease of installation

Long life LED

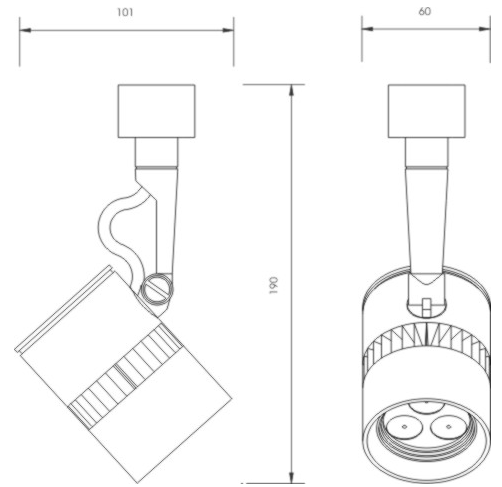
Lamp description

High Output LED.

TECHNICAL SPECIFICATION

Technical Data

| | |
|-------------------|--------------------------|
| Cut out dia. (mm) | 0 |
| IP Rating | 20 |
| Weight (kgs) | 0.35 |
| Input Voltage(V) | 240V |
| Dimming | Not suitable for dimming |



MATERIALS

| | |
|------|-----------|
| Body | Aluminium |
| Stem | Aluminium |

LAMP DATA

| Lamp Type | Lamp Cap | No. | Lamp Watts | Lamp Current | Lamp Lumens | Lamp Life |
|------------------|----------|-----|------------|--------------|-------------|-----------|
| LED - Warm White | N/A | 3 | 1 | 0.35 | 63 | 50000 |