

**Shaker****product data sheet****TLED306NW015-AB/S****Description**

A range of LED spotlights for commercial and Museum applications

**APPLICATIONS**

Can be used for applications where Halogen would have previously been used.

**SALES FEATURES****Comprehensive range**

A range of wattages and mounting options give a comprehensive group

**Quality**

5 Year Guarantee

**Ease of installation**

Long life LED

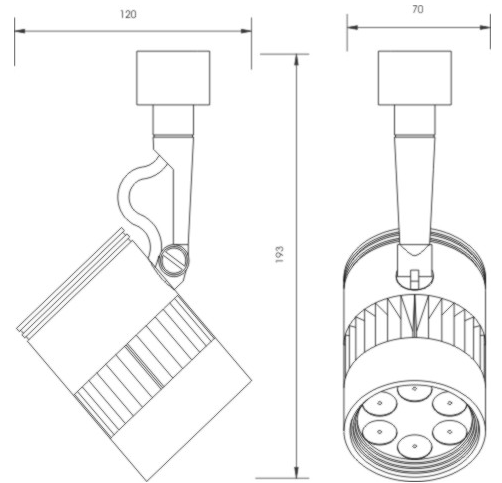
**Lamp description**

High Output LED.

## TECHNICAL SPECIFICATION

### Technical Data

Cut out dia. (mm)	0
IP Rating	20
Weight (kgs)	0.50
Input Voltage(V)	240V
Dimming	Not suitable for dimming



## MATERIALS

Body	Aluminium
Stem	Aluminium

## LAMP DATA

Lamp Type	Lamp Cap	No.	Lamp Watts	Lamp Current	Lamp Lumens	Lamp Life
LED - Neutral White	N/A	6	1	0.35	63	50000