

Shaker**product data sheet****TLED306WW015-AB/S****Description**

A range of LED spotlights for commercial and Museum applications

APPLICATIONS

Can be used for applications where Halogen would have previously been used.

SALES FEATURES**Comprehensive range**

A range of wattages and mounting options give a comprehensive group

Quality

5 Year Guarantee

Ease of installation

Long life LED

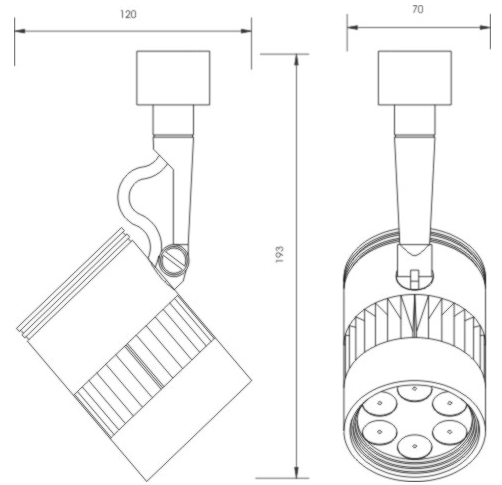
Lamp description

High Output LED.

TECHNICAL SPECIFICATION

Technical Data

Cut out dia. (mm)	0
IP Rating	20
Weight (kgs)	0.50
Input Voltage(V)	240V
Dimming	Not suitable for dimming



MATERIALS

Body	Aluminium
Stem	Aluminium

LAMP DATA

Lamp Type	Lamp Cap	No.	Lamp Watts	Lamp Current	Lamp Lumens	Lamp Life
LED - Warm White	N/A	6	1	0.35	63	50000