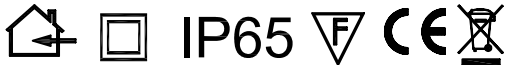


JC94019

90 Minute

Low Energy Fire Rated Mains Voltage GU10 Showerlight



Part "B"

BS476
Part 21

Part "E"
(Acoustics)



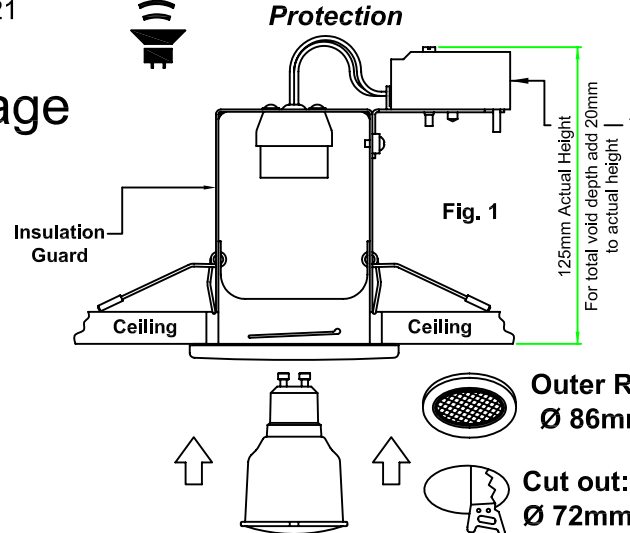
90 Minute


Part "C"
Compliant
Stops moisture &
air flow through
the luminaire

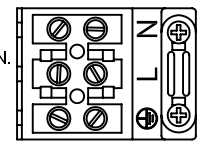
Fire Rated Luminaire  **FIREGUARD**

Luminaire suitable for all timber joist ceiling variants up to 90 minutes.

Part "E" Compliant (Acoustics)
90 Minute fire rating.
Approved to:- **BS476 Part 21**



Heavy duty Loop in-Loop out connections.
Double insulated. L & N.
Earth provision provided.
*** Incoming Wiring Note**



Building Regulations Document B determines the ceiling type that is required depending on the type of building under construction. The ceiling types are designed to provide protection to the floor above in the case of fire for a duration as specified by the document. Using JCC's "FIREGUARD" downlights ensures that this specification is maintained even when downlights are installed in the ceiling.

Important Information.

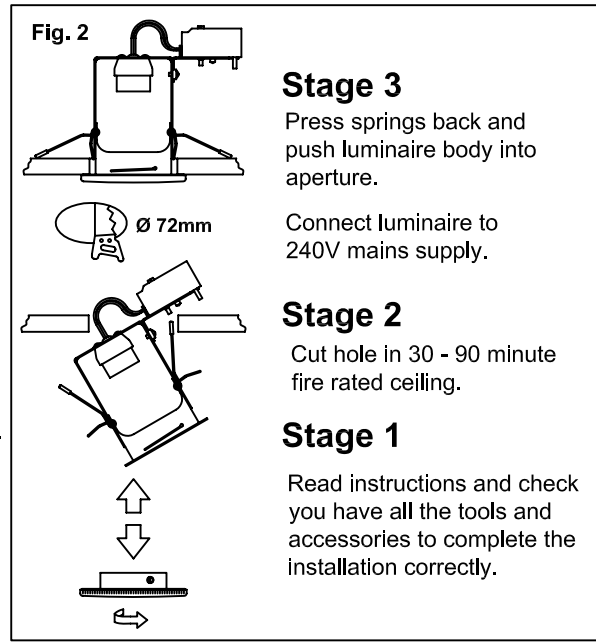
It is recommended that luminaires are installed and fitted by a qualified electrician ensuring the installation complies to current IEE wiring regulations & local building control. This product is designed for connection to a 230V / 240V Mains supply.

* It is recommended that all supply cables connected to this luminaire are heat resistant. HR Rubber or Silicone Flex.

Always switch off mains supply before servicing, fitting or replacing lamps.
Always check the lamp is correct for the application, including its voltage and wattage.
Special attention should be paid for any installations with low ceiling voids.
Never exceed the maximum Wattage.
Ensure the lamp is correctly located in the lampholder.

Installation Instructions :

JCC recommends that a sample hole is cut in some scrap material to familiarise yourself with the installation. Once you are completely satisfied: Locate the area's suitable to install these luminaires. Cut a 72mm round hole in ceiling and ensure sufficient ceiling void without infringing on joist, water pipes or electrical cables.

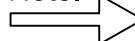


Stage 3
Press springs back and push luminaire body into aperture.

Connect luminaire to 240V mains supply.


Stage 2
Cut hole in 30 - 90 minute fire rated ceiling.

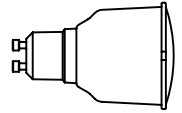
Stage 1
Read instructions and check you have all the tools and accessories to complete the installation correctly.

Please Note! 

Installation Instructions (continued) :

Connect this product to a mains 240V supply. Fit this product as illustrated opposite (Fig 2) This appliance will be considered Class II with Loop in / Loop out connector and Earth provision. Wherever possible ensure there is adequate free air ventilation around the luminaire.
Cold Loft Spaces
To prevent accidental damage to the luminaire and to ensure good air flow around the fitting, JCC recommends the use of a 'Loft Brace'
Codes:-
JC94020 400mm & JC94021 600mm joist widths.

JCC Lighting Products recommends only branded lamps. For example: Megaman ® 

Lamp replacement :
Lamp Cap : GU10
Max Wattage : 11W
Supplied with lamp  Cool Fit Lamp

JCC Lighting Aftersales:
Technical Support Helpline : 01243 838986
Customer Service Department : 01243 829040



BS EN ISO9001 - 2000
Registered Firm
Certificate No. GB 1552 