

JC59002SS / JC59003SS

Wilmslow Wall Lanterns

Construction and Assembly Details



IP44   

Installation Details:

Turn off any power supply before starting any installation. Locate a suitable position for the luminaire. Prepare the mains wiring, leaving enough spare to make connections inside the luminaire.

Using the mounting base as a template, mark the hole positions for any fixings used to secure the luminaire. Drill holes and insert wall plugs. Screw the mounting base to the wall using any fixings supplied.

Terminate the mains wiring to the luminaires wiring as detailed opposite.

Be sure to use any the cable restraints.

Note: Never allow the luminaires weight to be supported by the wiring at any time.

Place the termination box cover onto the termination box, and locate in the void space available.

Tidy any excess wiring, ensuring that no wires can be trapped or pinched during the assembly of the luminaire.

Locate the bottom lug into position on the mounting plate and secure the fixing screw.

Remove the top hat, and install a suitable lamp.

Replace the top hat, ensuring seals are intact and in place.

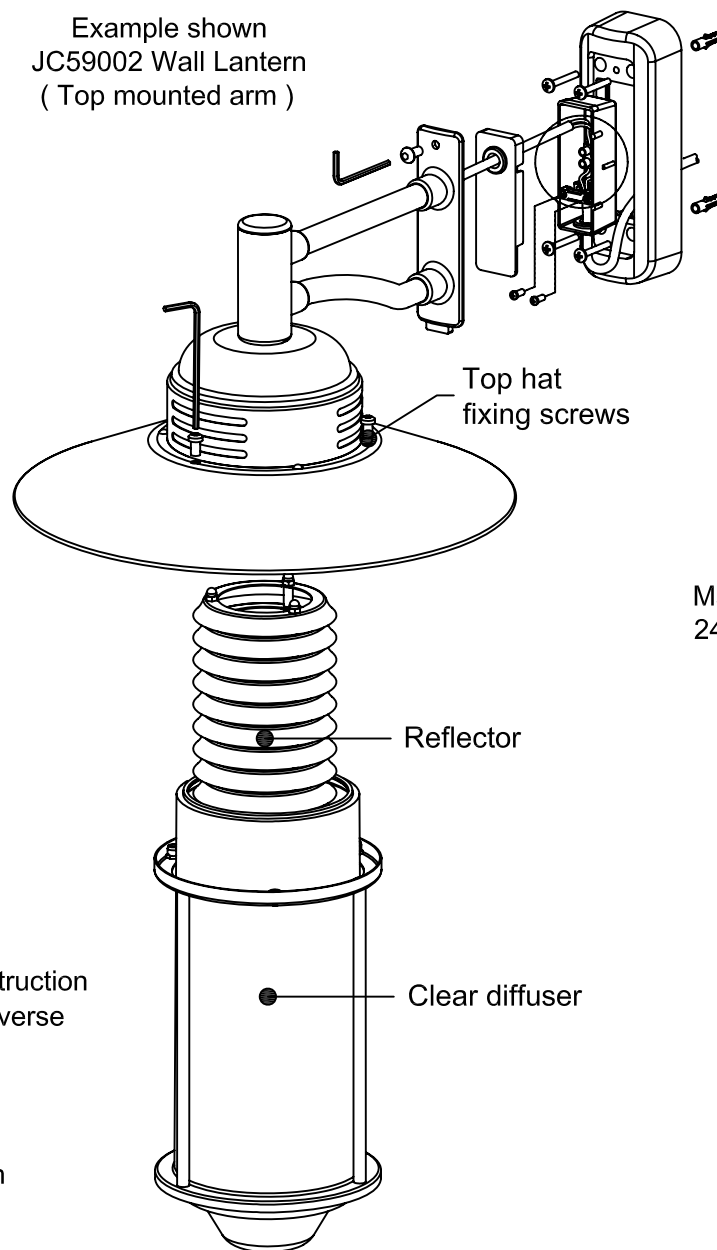
Check any drain holes are clear of debris.

Turn on power supply and test luminaire.

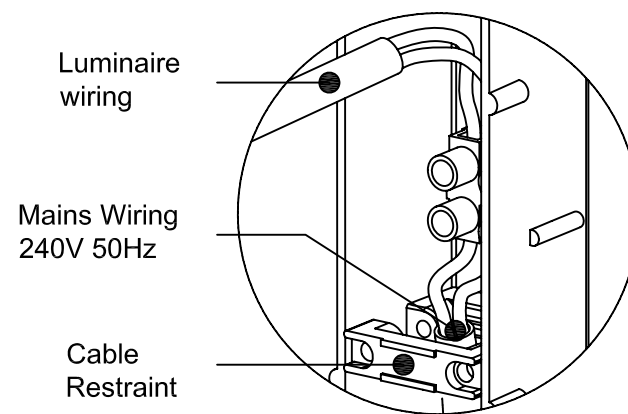
Finally, on completion of the installation, please hand this instruction sheet to your customer as it has useful information on the reverse regarding maintenance and cleaning.


Please retain these instructions for future reference, details regarding the maintenance and cleaning of this product is on the reverse.



Example shown
JC59002 Wall Lantern
(Top mounted arm)



Construction : Stainless Steel
Grade : AISI 316L
Diffuser : Polycarbonate
Finish : Brushed Effect



 Class II Wiring.
Double Insulated - No Earth Required

Luminaire		Mains Supply	
Brown (L)		Brown / Red	Live
Blue (N)		Blue / Black	Neutral

Lamp Details : E27 GLS 100W Max

JCC Lighting recommends branded lamps:
Sylvania, Philips, Osram, GE and BLV.

