



a **LEVITON**
company

JC99901CH

Hybrid9 Mains IP65 Dimmable 38° Beam 4000K Chrome



General Information

Product Group	Fire-rated downlights
Product Range	Hybrid
Range Name	Hybrid 9
Product Weight	0.475kg
Finishes Available	Brushed nickel, chrome,white
Overall Dimensions	92 x 97 mm
Recommended Product Location	indoor use only
Method Of Fix	Spring clips
Cut Out Ø	Ø76mm
Ingress Protection (IP)	IP65

JCC Lighting

Innovation Centre, Beeding Close, Southern Cross
Trading Estate, Bognor Regis, West Sussex, PO22 9TS
Company Registration Number: 03044848 | VAT Number: 918544112
T: 01243 838999 | F: 01243 838998 | sales@jcc.co.uk | www.jcc.co.uk

Suitable For Zones	Zone 1
Distance From Lighted Object	0.3m
Origin Of Manufacture	PRC
Guarantee	5 year commercial, 10 year domestic (See Website for terms and conditions)
Luminaire Module Replacements	SPR99901BN/SPR99901CH/SPR99901WH/SPR99903BN/SPR99903CH/SPR99903WH

Electrical

Input Voltage (V)	220-240V~
Primary Running Current	0.03Amp
Operating Frequency (Hz)	50/60Hz
Luminaire Circuit Wattage	8.5W
Class	Class I
Total Harmonic Distortion (THD)%	2.07%
EMC Compliant (EN55015)	Yes
Power Factor Correction	0.98
Input Electrical Connections	LEN - Loop in/Loop out LEVLINK connector
Dimmable	Yes, trailing edge only

Thermals

Room Ambient Temperature Not To Exceed	26°C
Room Ambient Temperature	25°C
Insulation Coverage	Loosely cover with mineral wool insulation
Minimum Free Air Space	At least 75mm around fitting

Performance Data

Energy Rating	A+
----------------------	----

JCC Lighting

Innovation Centre, Beeding Close, Southern Cross
Trading Estate, Bognor Regis, West Sussex, PO22 9TS
Company Registration Number: 03044848 | VAT Number: 918544112
T: 01243 838999 | F: 01243 838998 | sales@jcc.co.uk | www.jcc.co.uk

Lumen Output	725 lumens
Lumens Per Circuit Watt	85 Lpcw
LED Life (Hours)	50,000
CRI: Ra	80
Colour Temperature (K)	4000K
Luminaire Beam Angle	38
LOR (Light Output Ratio) %	100%
Photometry Available	Yes

Construction

Main Chassis	Pressed steel
Diffuser	Polycarbonate
Lens	38° beam
Heat Sink	Aluminium
Rim Or Attachment	Die-cast aluminium

Packaging

Luminaire Carton Dimensions	102 x 110 x 100 mm
Quantity Per Outer Carton	20
Bar Code EAN Number	5052544053917
Packaged Weight	0.6kg

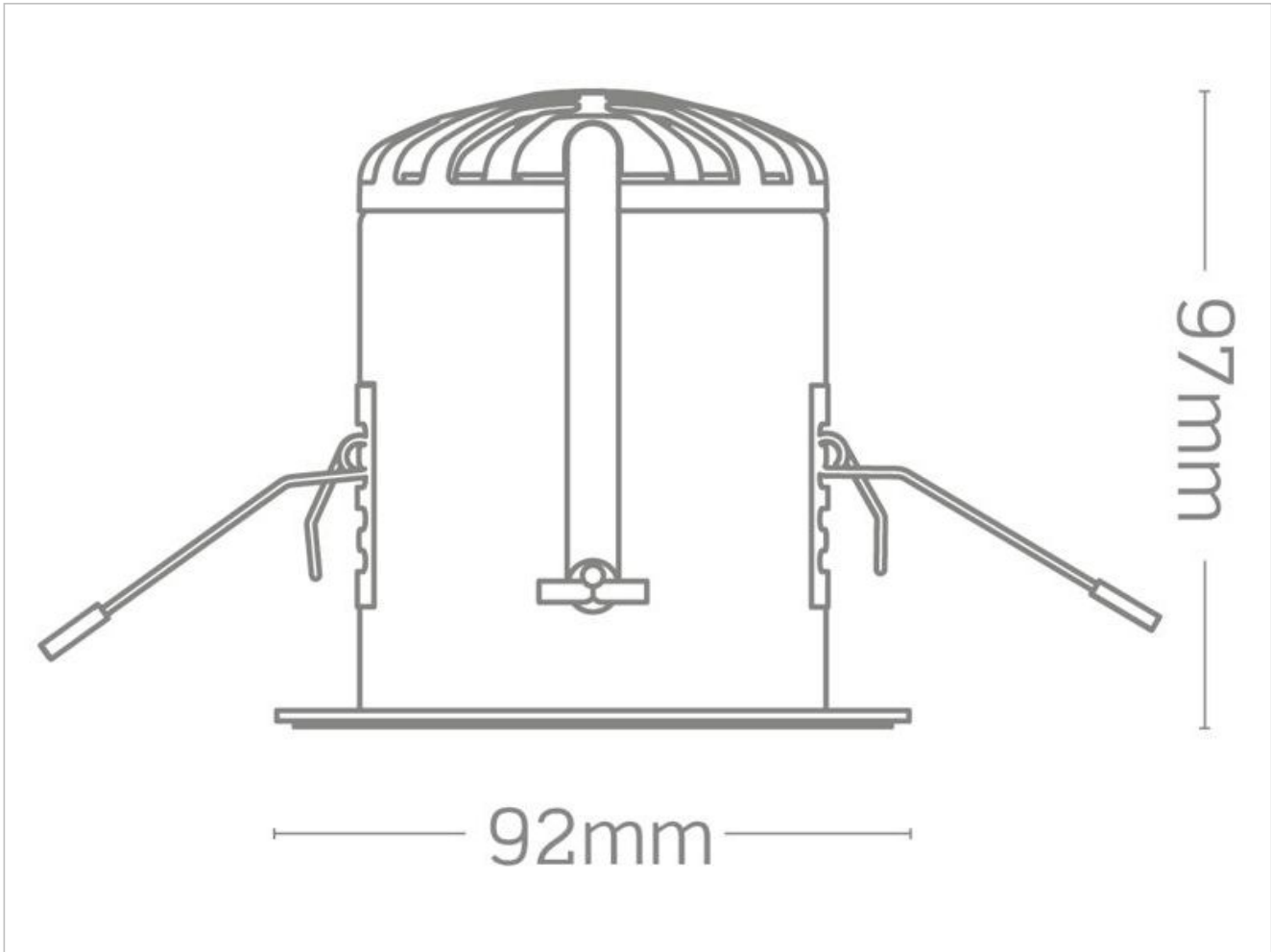
Standards & Approvals

Manufactured In Accordance To	BS EN 60598-2-1, 2-2
CE Marked	Yes
Batch Coded	yes

JCC Lighting

Innovation Centre, Beeding Close, Southern Cross
Trading Estate, Bognor Regis, West Sussex, PO22 9TS
Company Registration Number: 03044848 | VAT Number: 918544112
T: 01243 838999 | F: 01243 838998 | sales@jcc.co.uk | www.jcc.co.uk

WEEE Symbol	yes
Certificate Of Conformity	Available on request
Accredited Members	LIA, ISO9001:2015, ISO14001:2015



Datasheet generated from <http://www.electrika.cloud> on 02 June 2017 13:27:39