

JC99903BN

Hybrid9 Mains IP65 Dimmable 38° Beam 3000K Brushed Nickel



## General Information

<b>Product Group</b>	Fire-rated downlights
<b>Product Range</b>	Hybrid
<b>Range Name</b>	Hybrid 9
<b>Product Weight</b>	0.475kg
<b>Finishes Available</b>	Brushed nickel, chrome, white
<b>Overall Dimensions</b>	92 x 97 mm
<b>Recommended Product Location</b>	indoor use only
<b>Method Of Fix</b>	Spring clips
<b>Cut Out Ø</b>	Ø76mm
<b>Ingress Protection (IP)</b>	IP65

### JCC Lighting

Innovation Centre, Beeding Close, Southern Cross  
 Trading Estate, Bognor Regis, West Sussex, PO22 9TS  
 Company Registration Number: 03044848 | VAT Number: 918544112  
 T: 01243 838999 | F: 01243 838998 | [sales@jcc.co.uk](mailto:sales@jcc.co.uk) | [www.jcc.co.uk](http://www.jcc.co.uk)

<b>Suitable For Zones</b>	Zone 1
<b>Distance From Lighted Object</b>	0.3m
<b>Origin Of Manufacture</b>	PRC
<b>Guarantee</b>	5 year commercial, 10 year domestic (See Website for terms and conditions)
<b>Luminaire Module Replacements</b>	SPR99901BN/SPR99901CH/SPR99901WH/SPR99903BN/SPR99903CH/SPR99903WH

## Electrical

<b>Input Voltage (V)</b>	220-240V~
<b>Primary Running Current</b>	0.03Amp
<b>Operating Frequency (Hz)</b>	50/60Hz
<b>Luminaire Circuit Wattage</b>	8.5W
<b>Class</b>	Class I
<b>Total Harmonic Distortion (THD)%</b>	2.07%
<b>EMC Compliant (EN55015)</b>	Yes
<b>Power Factor Correction</b>	0.98
<b>Input Electrical Connections</b>	LEN - Loop in/Loop out LEVLINK connector
<b>Dimmable</b>	Yes, trailing edge only

## Thermals

<b>Room Ambient Temperature Not To Exceed</b>	26°C
<b>Room Ambient Temperature</b>	25°C
<b>Insulation Coverage</b>	Loosely cover with mineral wool insulation
<b>Minimum Free Air Space</b>	At least 75mm around fitting

## Performance Data

<b>Energy Rating</b>	A+
----------------------	----

### JCC Lighting

Innovation Centre, Beeding Close, Southern Cross  
Trading Estate, Bognor Regis, West Sussex, PO22 9TS  
Company Registration Number: 03044848 | VAT Number: 918544112  
T: 01243 838999 | F: 01243 838998 | [sales@jcc.co.uk](mailto:sales@jcc.co.uk) | [www.jcc.co.uk](http://www.jcc.co.uk)

<b>Lumen Output</b>	750 lumens
<b>Lumens Per Circuit Watt</b>	88 Lpcw
<b>LED Life (Hours)</b>	50,000
<b>CRI: Ra</b>	80
<b>Colour Temperature (K)</b>	3000K
<b>Luminaire Beam Angle</b>	38
<b>LOR (Light Output Ratio) %</b>	100%
<b>Photometry Available</b>	Yes

## Construction

<b>Main Chassis</b>	Pressed steel
<b>Diffuser</b>	Polycarbonate
<b>Lens</b>	38° beam
<b>Heat Sink</b>	Aluminium
<b>Rim Or Attachment</b>	Die-cast aluminium

## Packaging

<b>Luminaire Carton Dimensions</b>	102 x 110 x 100 mm
<b>Quantity Per Outer Carton</b>	20
<b>Bar Code EAN Number</b>	5052544053931
<b>Packaged Weight</b>	0.6kg

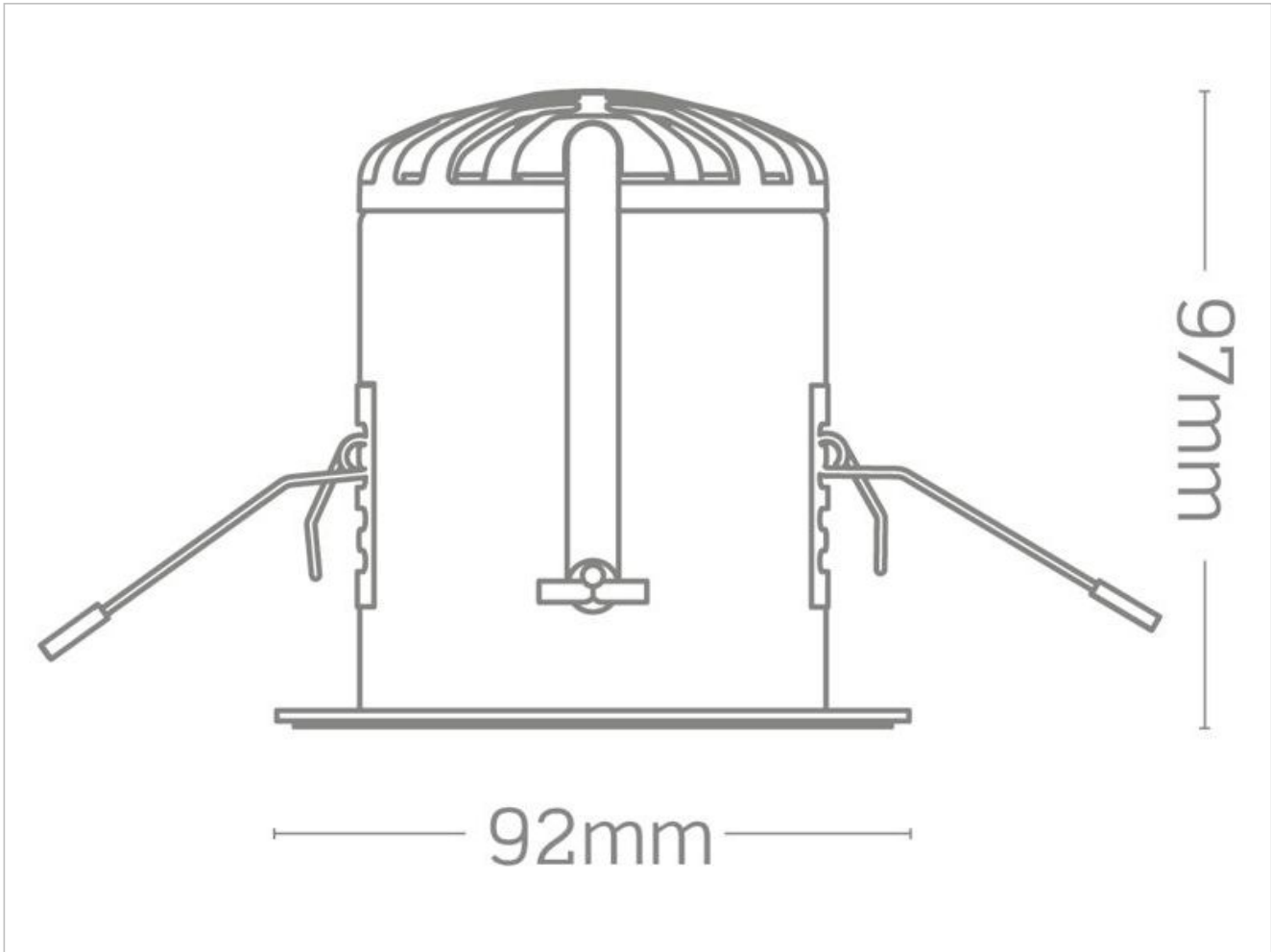
## Standards & Approvals

<b>Manufactured In Accordance To</b>	BS EN 60598-2-1, 2-2
<b>CE Marked</b>	Yes
<b>Batch Coded</b>	yes

### JCC Lighting

Innovation Centre, Beeding Close, Southern Cross  
Trading Estate, Bognor Regis, West Sussex, PO22 9TS  
Company Registration Number: 03044848 | VAT Number: 918544112  
T: 01243 838999 | F: 01243 838998 | [sales@jcc.co.uk](mailto:sales@jcc.co.uk) | [www.jcc.co.uk](http://www.jcc.co.uk)

<b>WEEE Symbol</b>	yes
<b>Certificate Of Conformity</b>	Available on request
<b>Accredited Members</b>	LIA, ISO9001:2015, ISO14001:2015



Datasheet generated from <http://www.electrika.cloud> on 02 June 2017 13:28:33