



Available Finishes: Satin Chrome

Read these instructions before commencing installation. Please give these instructions to the owner/occupier after installation to retain for future reference/maintenance.

IP20 240VAC~50Hz 10W LED Max.

These fittings are Class I and must be Earthed

**Important Information**

It is recommended that these luminaires are installed and fitted by a qualified electrician ensuring the installation complies with current IEE wiring regulations & local building control. These products are designed for connection to a 240V~50Hz supply.

Any faulty, broken or damaged luminaires should be replaced immediately.

KSR will not accept responsibility for any claims arising from a poor installation.

Please Note: The limited warranty shall be deemed null and void in the following circumstances: Failure by the installer, end user or any third party to exercise caution to protect any covered product or part from outside damage, adverse temperature, humidity conditions, fluctuations in the electrical system or physical abuse as well as failure related to workmanship in the installation of the products or parts.

**Important User Advice**

Always safely isolate the mains supply before installing/servicing.

At the end of life the luminaire is classed as WEEE under directive 2014/30/EU and should be disposed of in accordance with local legislation.

**Installation Procedure**

Familiarize yourself with the luminaire/installation procedure and ensure the power is safely isolated before installing the luminaire.

Identify a suitable area(s) for the pendant to be mounted in and ensure the surface being mounted onto is smooth and suitable for the product type.

Release both screws at the base of the ceiling rose and remove to allow the ceiling rose to come free off the mounting bracket see Fig. 1.

With the mounting plate free, offer up the mounting bracket to the mounting surface and prepare ceiling for fixings provided, the hole spacing required is 66mm +/- 1mm.

With fixing positions prepared fasten fixings onto mounting bracket until secure

Using the terminal block provided terminate wiring Brown to Live, Blue to Neutral and Green/Yellow to Earth see Fig. 2.

With terminations completed resecure ceiling rose onto mounting bracket ensuring no cables are pinched or nicked (Fig. 1).

With the pendant now securely mounted proceed to fit a suitable E27 LED lamp not exceeding the maximum wattage.

Finally turn on power and test pendant.

Please note drop length of E27 holder can be adjusted in the ceiling rose according to application, max drop length is 1050mm

**Please Note:** For cleaning and maintenance the shade of this wall light can be removed by unscrewing the collar of the lamp holder, please ensure on removing the shade that the rubber washer is retained and refitted as this protects the glass shade from accidental damage when the collar is tightened up.

Fig 1.

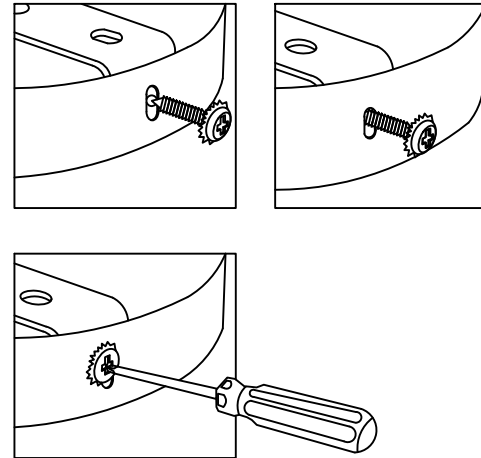
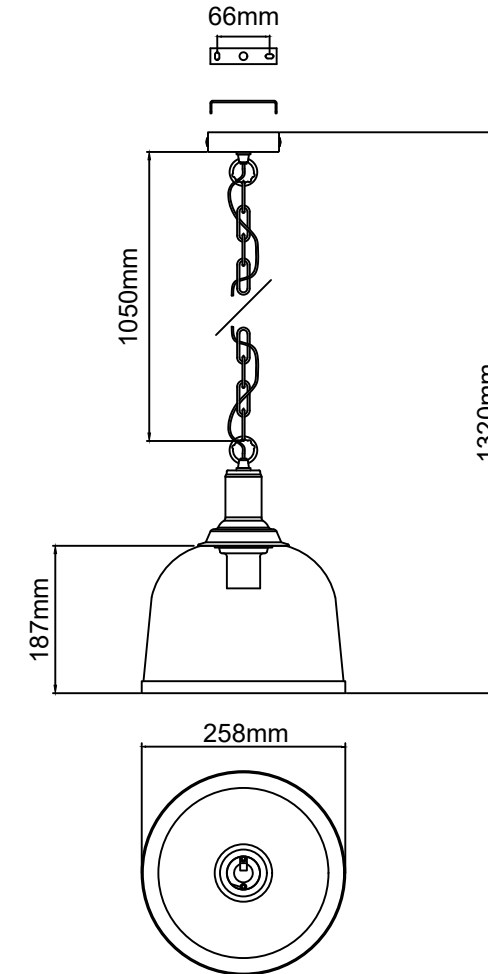
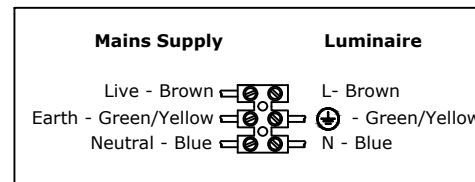


Fig 2.



Lamp Details	
Lamp Cap: E27 GLS Wattage: 10W LED (max)	
KSR Lighting recommend using branded lamps For example: Sylvania, GE, Philips or Osram	



KSR Lighting Aftersales: 023 92 674343  
E-mail: aftersales@ksrlighting.com