



Vitoria Range

Decorative Lighting



Data Sheet

Product Information

Vitoria E27 & E14 Range are ideal for Domestic and Hospitality applications.

Three versions available: a single Glass Wall Light, single Glass Pendant and a 3 Light Pendant all finished in Satin Chrome.

Comes with a 1 year warranty for your peace of mind.

Product Features

- 1 year warranty
- IP20
- Class I
- Suitable for E14 and E27 (KSR1661) LED filament lamps
- Available as a wall light, a single pendant and a 3 light pendant
- 1000mm of cable supplied which is fully adjustable
- Supplied in Satin Chrome Finish



Product Specification

Product Code	Product Description	Wattage (W)	Screw Cap	Lumens (lm)	Energy Efficiency Class	Protection Class
KSR1660	Vitoria Single E14 Glass Wall Light Satin Chrome	10w LED Max	E14	Varies	Dependant on lamp choice	I
KSR1661	Vitoria Single E27 Glass Pendant Satin Chrome	10w LED Max	E27	Varies	Dependant on lamp choice	I
KSR1662	Vitoria 3 light E14 Glass Pendant Satin Chrome	10w LED Max	E14	Varies	Dependant on lamp choice	I

Nominal voltage	220-240VAC
Operating frequency	50/60Hz
Circuit Wattage	Dependant on lamp
Circuit Current	Dependant on lamp
Driver Current rating	N/A
PFC	varies
In Rush Current	varies
Ambient temperature range	0°C~+35°C
Start time	< 0.5 sec
IP rating	20

Construction

Body: Spun Aluminium
Shade: Glass

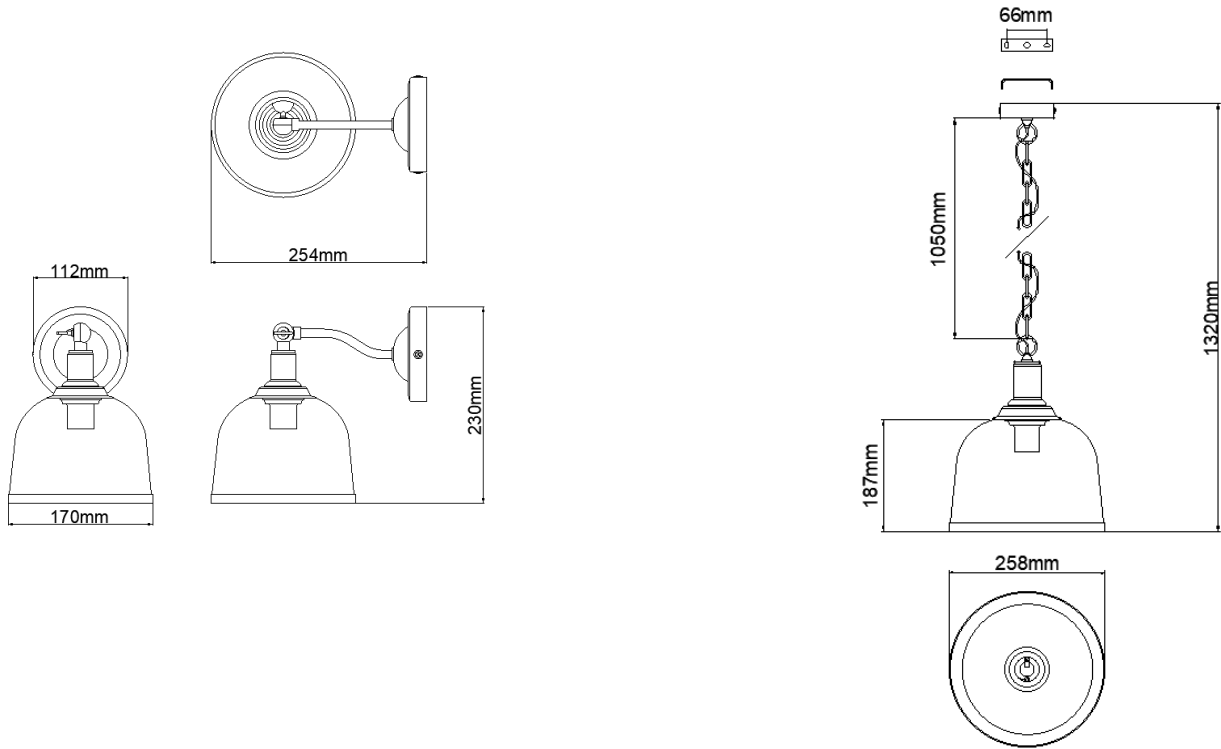
Standards

BSEN60598-1:2021 Luminaires – Part 1: General requirements and tests

In Conformity with

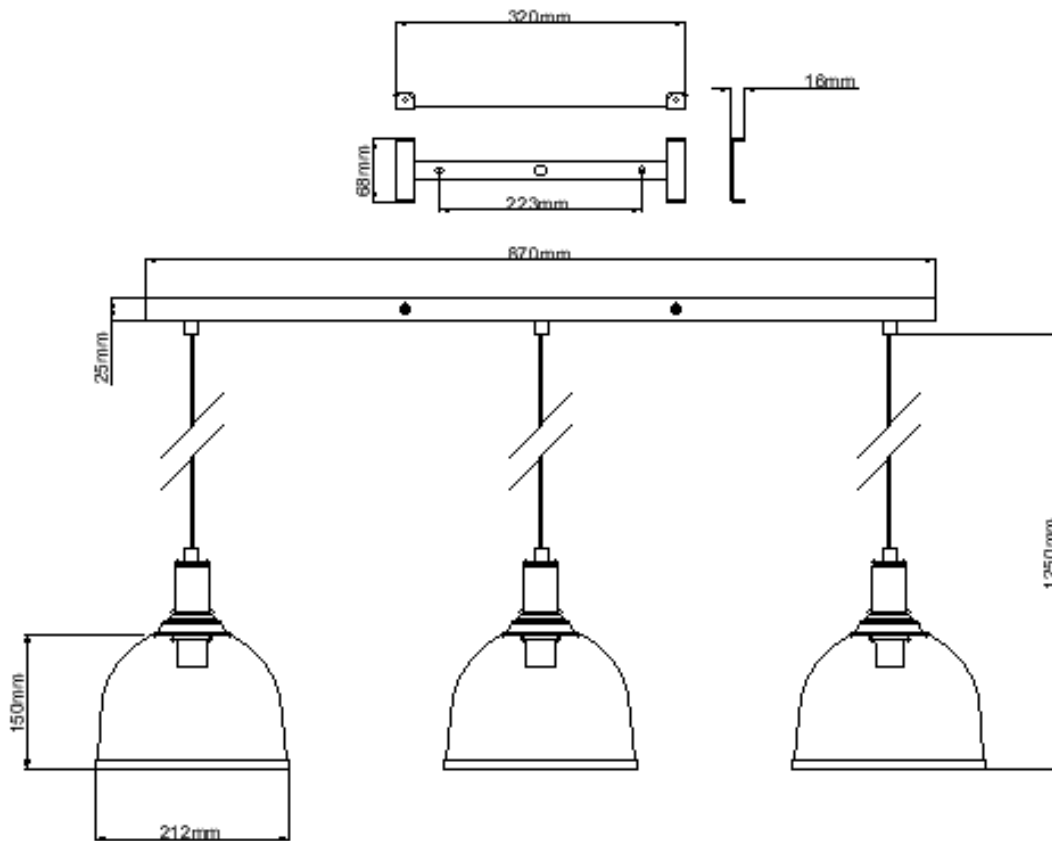
EMC Electromagnetic compatibility directive 2014/30/EU
RoHS Restriction of hazardous substances 2015/863/EU

Product Dimensions



KSR1660SC

KSR1661SC



KSR1662SC

KSR Lighting is constantly developing and improving its products. For this reason, all product descriptions in this data sheet are intended as a general guide, and KSR may change specifications from time to time in the interest of product development, without prior notification or public announcement. All descriptions in this data sheet present only general particulars of the goods to which they refer and shall not form part of any contract. Data in this guide has been obtained in controlled experimental conditions. However, KSR Lighting cannot accept any liability arising from the reliance on such data to the extent permitted.