

# Navara 12V IP65 LED Strip

*LED Strip Lighting*



Data Sheet

## Product Information

Our Navara 12V IP65 LED Strip is ideal for lighting applications where feature lighting is required.

This range is well suited to residential and commercial applications.



## Product Features

- 3 year warranty
- Class II for Power supply and Class III for LED Strip
- IP65
- 12V Constant Voltage
- Available in 3000K or 4000K
- Two dimming options -  
Dimmable control via remote control using KSR9564 & KSR9566 with an effective range up to 30m or dimmable via WiZ app control (strong wifi connection required)
- 5.8w per metre
- Driver Supplied
- 3M Self-adhesive Backing
- Can be cut every 100mm

# Product Specification

Product Code	Product Description	Wattage (W)	CCT (K)	CRI (Ra)	Lumens (lm)	Protection Class
KSR95102	12v IP65 LED Strip – 5.8w/m, 30 LEDs per metre 3000K 50m roll	5.8w/m	3000	84	528lm per metre	III
KSR95103	12v IP65 LED Strip – 5.8w/m, 30 LEDs per metre 4000K 50m roll	5.8w/m	4000	86	599lm per metre	III
<b>Accessories</b>						
KSR95107	Navara 12v Single Colour IP65 Strip to Wire Connector 3m LED					III
KSR95111	Navara 12v IP65 Strip to Strip Connector with 10cm Lead					III
KSR9564	Navara LED Receiver/Controller***					III
KSR9566	Navara Single Colour Remote***					III
KSRDL278	50w 12v Dimmable IP20 Driver					II
KSRDL279	100w 12v Dimmable IP20 Driver					II
KSRDL283	12w 12v Constant Voltage IP67 LED driver	12w				II
KSRDL285	35w 12v Constant Voltage IP67 LED driver	35w				II
KSRDL286	60w 12v Constant Voltage IP67 LED driver	60w				II

Nominal voltage	12V
Operating frequency	50/60Hz
Circuit Wattage	5.8w per metre
Circuit Current	TBC
Driver Current Rating	N/A
PFC	0.99
In Rush Current	N/A
Ambient temperature range	-10°C to +45°C
IP rating	65

## Construction

Body: PCB  
Coating: Silicone

## Standards

BSEN60598-1:2021      Luminaires – Part 1: General requirements and tests

## In Conformity with

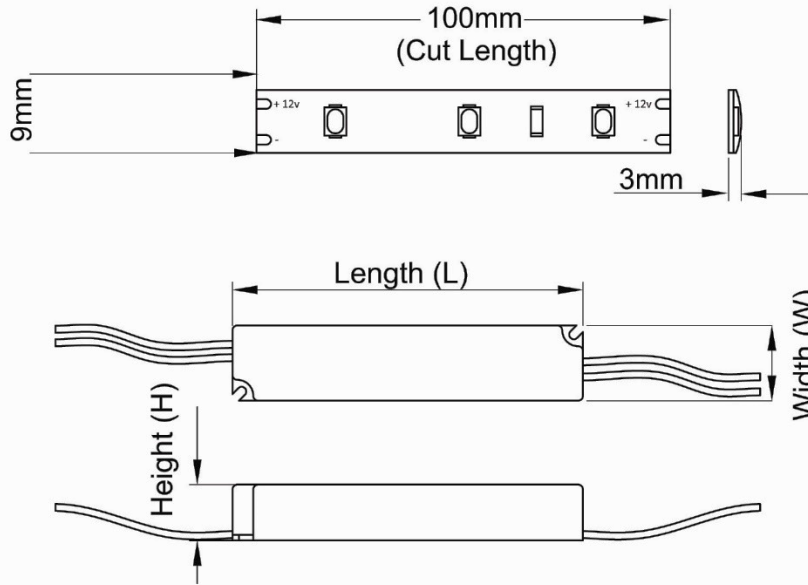
LVD      Low voltage directive 2014/35/EU  
EMC      Electromagnetic compatibility directive 2014/30/EU  
ERP      Energy related products directive 2019/2020/EU  
RoHS      Restriction of hazardous substances 2015/863/EU

[www.ksrlighting.com](http://www.ksrlighting.com)

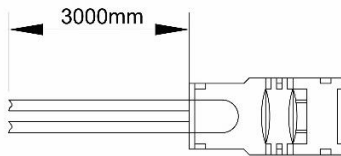
KSR Bespoke LED 12V IP65 LED Strip - DS – 12<sup>th</sup> July 2021

# Product Dimensions

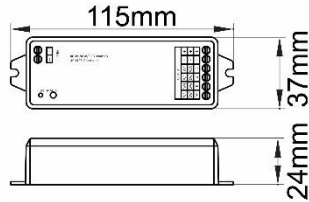
## IP65 5.8W Bespoke LED Strip



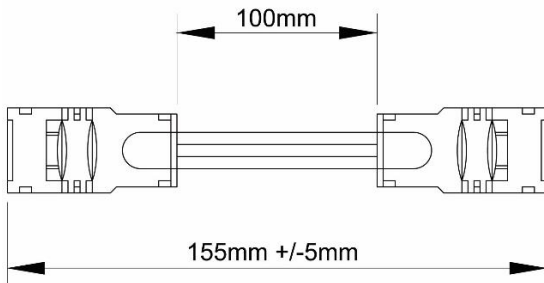
	Input	Wattage	Max Tape Run	Dimensions Length x Width x Height
KSRDL283	220-240VAC 50/60Hz	12W	1.5M	141mm(L) x 31mm (W) x 22mm (H)
KSRDL285	220-240VAC 50/60Hz	35W	5M	150mm(L) x 40mm (W) x 30mm (H)
KSRDL286	220-240VAC 50/60Hz	60W	10M	165mm(L) x 42mm (W) x 32mm (H)



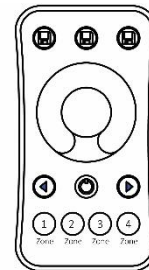
**KSR95107**



**KSR9564**



**KSR95111**



**KSR9566**

KSR Lighting is constantly developing and improving its products. For this reason, all product descriptions in this data sheet are intended as a general guide, and KSR may change specifications from time to time in the interest of product development, without prior notification or public announcement. All descriptions in this data sheet present only general particulars of the goods to which they refer and shall not form part of any contract. Data in this guide has been obtained in controlled experimental conditions. However, KSR Lighting cannot accept any liability arising from the reliance on such data to the extent permitted.